

---

**Chapter 296-807 WAC**  
**Portable Power Tools**  
**(Form Number 414-089-000)**

This book contains rules for Safety Standards for portable power tools, as adopted under the Washington Industrial Safety and Health Act of 1973 (Chapter 49.17 RCW).

The rules in this book are effective December 2015. A brief promulgation history, set within brackets at the end of this chapter, gives statutory authority, administrative order of promulgation, and date of adoption of filing.

**TO RECEIVE E-MAIL UPDATES:**

- Sign up at [https://public.govdelivery.com/accounts/WADLI/subscriber/new?topic\\_id=WADLI\\_19](https://public.govdelivery.com/accounts/WADLI/subscriber/new?topic_id=WADLI_19)

**TO PRINT YOUR OWN PAPER COPY OR TO VIEW THE RULE ONLINE:**

- Go to <https://www.lni.wa.gov/safety-health/safety-rules/rules-by-chapter/?chapter=807/>

**DOSH CONTACT INFORMATION:**

- **Physical address:**  
7273 Linderson Way  
Tumwater, WA 98501-5414  
(Located off I-5 Exit 101 south of Tumwater.)
- **Mailing address:**  
DOSH Standards and Information  
PO Box 44810  
Olympia, WA 98504-4810
- Telephone: 1-800-423-7233
- For all L&I Contact information, visit <https://www.lni.wa.gov/agency/contact/>

**Also available on the L&I Safety & Health website:**

- DOSH Core Rules
- Other General Workplace Safety & Health Rules
- Industry and Task-Specific Rules
- Proposed Rules and Hearings
- Newly Adopted Rules and New Rule Information
- DOSH Directives (DD's)
- See <http://www.lni.wa.gov/Safety-Health/>

# Chapter 296-807 WAC

## Safety Standards for Portable Power Tools

| WAC  | Page     |
|--|----------|
| <b>WAC 296-807-099 Definitions.</b> .....  | <b>1</b> |
| <b>WAC 296-807-100 Scope.</b> .....  | <b>3</b> |
| <b>WAC 296-807-110 Switches (controls)</b> .....   | <b>4</b> |
| Summary .....  | 4        |
| WAC 296-807-11005 Make sure switches are safe. ....  | 4        |
| <b>WAC 296-807-120 Portable circular saws</b> .....  | <b>5</b> |
| WAC 296-807-12005 Make sure portable circular saws are safe to use. ....   | 5        |
| <b>WAC 296-807-130 Portable belt sanding machines</b> .....  | <b>6</b> |
| WAC 296-807-13005 Guard portable belt sanding machines. ....   | 6        |
| <b>WAC 296-807-140 Compressed air tools</b> .....  | <b>6</b> |
| Summary .....  | 6        |
| WAC 296-807-14005 Follow the manufacturer's instructions. ....   | 7        |
| WAC 296-807-14010 Prevent air tools from ejecting attachments. ....  | 7        |
| WAC 296-807-14015 Protect employees from contact with compressed air. ....   | 7        |
| WAC 296-807-14020 Make sure safeguards are used when cleaning with<br>compressed air. ....                           | 7        |
| WAC 296-807-14025 Make sure airhose and plastic pipe supplying compressed air<br>to portable air tools are safe..... | 8        |
| WAC 296-807-14030 Make sure air tools are adequately designed and<br>constructed. ....                               | 8        |
| WAC 296-807-14035 Use air tools safely.....  | 8        |
| WAC 296-807-14040 Make sure fastener driving air tools (nailers and staplers) are<br>safe. ....                      | 9        |

**WAC 296-807-150 Powder actuated fastening systems.... 10**

|  |    |
|--|----|
| Summary .....  | 10 |
| WAC 296-807-15005 Make sure tool operators are qualified.....  | 11 |
| WAC 296-807-15010 Make sure employees are aware tools are in use and wear appropriate personal protective equipment (PPE). ..... | 11 |
| WAC 296-807-15015 Make sure tools are adequately designed and constructed.   | 12 |
| WAC 296-807-15020 Make sure tools and containers are properly labeled.....   | 12 |
| WAC 296-807-15025 Make sure powder loads and power levels are properly identified.....   | 12 |
| WAC 296-807-15030 Use proper powder loads.....   | 13 |
| WAC 296-807-15035 Make sure the tool is appropriate to the job. ....   | 13 |
| WAC 296-807-15040 Make sure the operator uses the tool safely. ....  | 13 |
| WAC 296-807-15045 Use fasteners safely. ....   | 14 |
| WAC 296-807-15050 Inspect and maintain tools properly. ....  | 15 |
| WAC 296-807-15055 Make sure tools are stored properly.....   | 15 |

**WAC 296-807-160 Power lawnmowers..... 16**

|   |    |
|---|----|
| Summary .....   | 16 |
| WAC 296-807-16005 Make sure equipment meets minimum design and construction requirements.....                 | 16 |
| WAC 296-807-16010 Make sure the equipment has the appropriate labels and decals.....                          | 17 |
| WAC 296-807-16015 Make sure the operator understands and follows instructions before starting the mower. .... | 17 |
| WAC 296-807-16020 Use the equipment safely. ....  | 17 |
| WAC 296-807-16025 Protect employees from fuel and exhaust.....  | 18 |
| WAC 296-807-16030 Use walk-behind mowers safely. ....   | 18 |
| WAC 296-807-16035 Use ride-on mowers safely. ....   | 19 |



## **WAC 296-807-099 Definitions.**

**Abrasive wheel.** A grinding tool consisting of bonded abrasive grains. This includes diamond and reinforced wheels.

**Blind hole.** A hole drilled in an object, such as an abrasive wheel, that does not go all the way through.

**Blotter.** A compressible disc or washer, usually of blotting paper, plastic, cardboard, or gasket material, that is used between the wheel and the flanges to evenly distribute flange pressure on the wheel.

**Cone and plug wheels (Types 16, 17, 18, 18R, and 19).** Abrasive wheels manufactured with blind hole threaded bushings. They may be used on all surfaces except the flat mounting surface (D). Specific characteristics of the different cone and plug wheels are:

- (a) Type 16 cones have a curved side with a nose radius
- (b) Type 17 cones have straight sides with or without a nose radius
- (c) Type 18 and 18R plug wheels are cylindrical in shape with either a square or curved grinding end
- (d) Type 19 cone wheels are a combination of cone and plug shapes

**Cutting-off wheels.** Abrasive wheels used to cut material such as masonry, pipe, etc.

**Designated person.** A person selected or assigned by the employer or the employer's representative as competent to perform specific duties.

**Discharge opening.** An opening in a mower housing for discharging grass.

**Flanges.** Collars, discs or plates between or against which wheels are mounted. There are four types of flanges:

- (a) Adaptor;
- (b) Sleeve;
- (c) Straight relieved;
- (d) Straight unrelieved.

**Grass catcher.** Parts or a combination of parts to collect grass clippings or debris.

**Guard (abrasive wheels).** An enclosure designed to restrain the pieces of an abrasive wheel and furnish protection to the operator if the wheel is broken during operation.

**Guard.** A part or assembly to prevent accidental contact with hazardous machine parts or to protect persons from other hazards created by the machinery.

**Inorganic bonded wheel.** Abrasive wheels that are bonded by means of inorganic material such as clay, glass, porcelain, sodium silicate, magnesium oxychloride, or metal.

**Jack.** A portable hand- or power-operated mechanism for lifting, lowering or moving horizontally a load by applying a pushing force.

**Modified Types 6 and 11 wheels (terrazzo).** Similar to Type 6 “straight cup” wheels and Type 11 “flaring cup” wheels except for the bottom of the cup. The bottom of the cup is flat in Type 6 and 11 wheels. The modified wheels have bottoms that are sloped downwards towards the mounting hole. These modified wheels need to be mounted using a special tapered flange furnished by the tool manufacturer. These wheels are used in the terrazzo trade.

**Mounted wheels.** Bonded abrasive wheels of various shapes, usually 2 inches diameter or smaller, that are secured to plain or threaded steel mandrels.

**Normal service (jacks).** Raising or lowering axial loads that are 85% or less of the rated load under controlled conditions.

**Organic bonded wheels.** Abrasive wheels that are bonded by means of organic material such as resin, rubber, shellac, or other similar bonding agent.

**Rated load.** The maximum load that the jack is designed to lift or support.

**Reinforced wheels.** Organic bonded abrasive wheels which have webbing, fabric or filament to provide resistance to complete breaking of the wheel should it become cracked or damaged.

**Terrazzo.** A material of stone chips, such as marble, set in mortar and polished.

**Threaded hole wheels.** Abrasive wheels that have one central threaded bushing, securely anchored in place. They are mounted by being screwed onto a threaded machine spindle so that the wheel back seats firmly against an unrelieved flat back flange.

**Tuck pointing wheels.** Tuck pointing abrasive wheels are Type 1 reinforced, organic bonded wheels and have diameter, thickness and hole size dimensions. They are used to remove cement, mortar, or other nonmetallic jointing material.

**Type 1 wheel.** An abrasive wheel shaped like a disc with a mounting hole in the middle. Sometimes called a “straight wheel.” It has diameter (D), thickness (T), and hole size (H) dimensions. Grinding is normally done on the periphery (outside curve) of the wheel (T dimension). Can be used for grinding, cutting-off, and tuck pointing.

**Type 2 wheel.** An abrasive wheel shaped like an open-ended, hollow cylinder. Sometimes called a cylinder wheel. It has diameter (measured from the outer wall of the cylinder), wheel thickness (height of the cylinder), and rim thickness (thickness of the cylinder wall). Grinding is done on the end of the cylinder (rim thickness dimension).

**Type 6 wheel.** An abrasive wheel shaped like a straight-sided cup or bowl with a mounting hole in the bottom of the cup. Sometimes called a “cup wheel.” It has diameter (D), thickness (T), hole size (H), rim thickness (W), and back thickness (E) dimensions. Grinding is normally done on the cup rim (W dimension).

**Type 11 wheel.** An abrasive wheel shaped like a cup or bowl with a mounting hole in the bottom of the cup. The sides of the cup are not straight-sided but are angled outward. Sometimes called a “flaring cup wheel” since the sides are “flared” out. It has double diameter dimensions (top D and bottom J). It also has thickness (T), hole size (H), rim thickness (W) and back thickness (E) dimensions. Grinding is normally done on the cup rim (W dimension).

**Type 16, 17, 18, 18R, and 19 wheels.** See cone and plug wheels.

**Type 27 wheel.** An abrasive wheel similar to a Type 1 wheel, but the center of the wheel around the mounting hole is pushed back (depressed). Sometimes called a “depressed center” wheel. It has diameter (D), thickness (U) and hole size (H) dimensions. The depressed center allows grinding on the flat surface of the wheel without interference from the flange or mounting hardware.

**Type 27A cutting-off wheel.** Similar to a Type 27 wheel. Specifically designed for use on cutting-off machines.

**Type 28 wheel.** An abrasive wheel similar to a Type 27 wheel, but the face of the wheel is angled upward and away from the mounting hole. The face of a Type 27 wheel is flat and perpendicular to the mounting hole. A Type 28 wheel is also called a “depressed center” wheel. It has diameter (D), thickness (U) and hole size (H) dimensions. The depressed center allows grinding without interference from the mounting. A Type 28 wheel has a saucer-shaped grinding rim and is designed for corner grinding and side grinding.

**Type 29 wheel.** An abrasive wheel that has reversed, saucer-shaped grinding rims (similar to a partially opened umbrella).

## **WAC 296-807-100 Scope.**

This chapter applies to the tools and equipment shown in Table 1, Scope of this chapter.

**Table 1 Scope of this Chapter**

| <b>This section:</b>                          | <b>Applies to:</b>   |
|---|--|
| <u>110 Switches (controls)</u>                | Hand-held portable power tools.  |
| <u>120 Portable circular saws</u>             | Hand-held portable circular saws.  |
| <u>130 Portable belt sanding machines</u>     | Hand-held portable belt sanding machines.  |
| <u>140 Compressed air tools</u>               | Hand-held portable compressed air powered tools. It also applies to airhose and plastic pipe used to supply compressed air to these tools.                                   |
| <u>150 Powder-actuating fastening systems</u> | Powder-actuated fastening systems designed to use the expanding gases from a powder load to propel a stud, pin, fastener, or other object into hard structural material.     |
| <u>160 Power lawnmowers</u>                   | Consumer and commercial power lawnmowers.  |
| <u>170 Jacks</u>                              | Portable hand- or power-operated: <ul style="list-style-type: none"> <li>• Hydraulic jacks</li> <li>• Mechanical ratchet jacks</li> <li>• Mechanical screw jacks.</li> </ul> |

|  |                                       |
|--|---------------------------------------|
| <b>This section:</b>                     | <b>Applies to:</b>                    |
| 180 Portable tools using abrasive wheels | Portable tools using abrasive wheels. |

## **WAC 296-807-110 Switches (controls).**

### **Summary**

**Your responsibility:** Make sure hand-held portable power tools have safe switches (controls).

|                                    |                          |
|------------------------------------|--------------------------|
| <b>EXEMPTION:</b>                  |                          |
| WAC 296-807-110 does not apply to: |                          |
| Concrete vibrators                 | Concrete breakers        |
| Powered tampers                    | Jack hammers             |
| Rock drills                        | Garden appliances        |
| Household and kitchen appliances   | Personal care appliances |
| Medical or dental equipment        | Fixed machinery          |

### **WAC 296-807-11005 Make sure switches are safe.**

- (1) You must make sure the operating switch is located in a position that makes it difficult to accidentally operate the tool.
- (2) You must use the correct operating switch.
  - (a) Make sure hand-held gasoline-powered chain saws have a constant pressure throttle control that will shut off power to the chain when the pressure is released.
  - (b) Use a constant-pressure switch that will shut off the power when the switch is released to turn on or operate any hand-held power tool.

|   |
|---|
| <b>EXEMPTION:</b>   |
| Some tools can use a lock-on feature with the constant pressure switch if the lock-on feature can be turned off with a single motion of the same finger(s) that turned it on.   |
| You can use a lock-on feature with these hand-held tools:   |
| <ol style="list-style-type: none"> <li>1. Drills;</li> <li>2. Tappers;</li> <li>3. Fastener drivers;</li> <li>4. Grinders using a wheel greater than two inches in diameter;</li> <li>5. Disc sanders;</li> <li>6. Belt sanders;</li> <li>7. Reciprocating saws;</li> <li>8. Saber, scroll and jig saws using a blade with a shank width greater than one-quarter inch;</li> <li>9. Other similarly operating powered tools.</li> </ol> |



**EXEMPTION:**

You can use a positive “on-off” switch with these hand-held tools:

1. Platen sanders;
2. Grinders using a wheel 2 inches or less in diameter;
3. Routers;
4. Planers;
5. Laminate trimmers;
6. Nibblers;
7. Shears;
8. Saber, scroll, and jig saws using a blade with a shank width of ¼ inch (± .05 inch) or less.

Note: The shank width of saber, scroll, and jig saw blades is measured at the narrowest point on the blade shank.

**WAC 296-807-120 Portable circular saws.**

**Your responsibility:** Make sure portable circular saws are safe.

**WAC 296-807-12005 Make sure portable circular saws are safe to use.**

- (1) You must use a constant-pressure switch to turn on or operate any circular saw using a blade that has a diameter greater than 2 inches.
- (2) You must remove cracked saws and saw blades from service.
- (3) You must make sure power driven circular saws that have a blade diameter larger than 2 inches have guards above and below the base plate (shoe) as listed in Table 2, Portable circular saw guarding requirements.

**Table 2 Portable Circular Saw Guarding Requirements**

| Upper Guard  | Lower Guard   |
|--|---|
| Covers the blade to the depth of the teeth, except for the minimum arc necessary to allow the base to tilt for bevel cuts. | (1) Covers the blade to the depth of the teeth, except for the minimum arc necessary to allow proper: <ol style="list-style-type: none"> <li>(a) Retraction of the guard;</li> <li>(b) Contact with the work.</li> </ol> (2) Automatically and instantly returns to the position covering the blade when the saw is withdrawn from contact with the work. |

**EXEMPTION:**

Guarding requirements in subsection (3) of this section do not apply to saws used in the meat cutting industry to cut meat.

**WAC 296-807-130 Portable belt sanding machines.**

**Your responsibility:** Make sure portable belt sanding machines are safe.

**WAC 296-807-13005 Guard portable belt sanding machines.**

You must guard:

- (1) Nip points where the sanding belt runs onto a pulley;
- (2) The unused run of the sanding belt.

**WAC 296-807-140 Compressed air tools.****Summary**

This section applies to portable, hand-held compressed air powered tools. It also applies to airhose and plastic pipe used to supply compressed air to these tools.

**Your responsibility:** Make sure compressed air and compressed air tools are used safely.

| <b><i>You must meet the requirements</i></b>   | <b><i>in this section</i></b>     |
|--|-----------------------------------|
| Follow the manufacturer's instructions   | <a href="#">WAC 296-807-14005</a> |
| Prevent air tools from ejecting attachments  | <a href="#">WAC 296-807-14010</a> |
| Protect employees from contact with compressed air   | <a href="#">WAC 296-807-14015</a> |
| Make sure safeguards are used when cleaning with compressed air                            | <a href="#">WAC 296-807-14020</a> |
| Make sure airhose and plastic pipe supplying compressed air to portable air tools are safe | <a href="#">WAC 296-807-14025</a> |
| Make sure air tools are adequately designed and constructed                                | <a href="#">WAC 296-807-14030</a> |
| Use air tools safely   | <a href="#">WAC 296-807-14035</a> |
| Make sure fastener driving air tools (nailers and staplers) are safe                       | <a href="#">WAC 296-807-14040</a> |

**WAC 296-807-14005 Follow the manufacturer's instructions.**

You must follow the manufacturer's instructions for safe use of the tool.

**WAC 296-807-14010 Prevent air tools from ejecting attachments.**

You must make sure the tool cannot accidentally eject an attachment.

**Note:** A retainer is needed if the tool does not have a positive method of keeping the attachment in the tool.

**WAC 296-807-14015 Protect employees from contact with compressed air.**

You must make sure a tool nozzle or an airhose opening is not:

- (1) Pointed at anyone;
- (2) Allowed to contact a person's body.

**WAC 296-807-14020 Make sure safeguards are used when cleaning with compressed air.**

You must use the following when cleaning with compressed air:

- (1) Air pressure that has been reduced to less than 30 p.s.i. static pressure at the nozzle;
- (2) Effective chip guarding.

**Note:**

1. You may use air pressure greater than 30 p.s.i. If you use a nozzle with vents, holes, flaps or slots that will direct the air flow away from the tip of the nozzle and will reduce the air flow to less than 30 p.s.i if the nozzle becomes blocked.
2. Effective chip guarding means any method or equipment that protects the eyes and skin of the cleaner and other workers from flying chips or particles.
3. Examples include:
  - a. A protective cone around the nozzle to protect the cleaner.
  - b. Barriers, baffles or screens to protect other workers.

**Reference:** Appropriate personal protective equipment (PPE) needs to be worn when cleaning with compressed air. See WAC [296-800-160](#) in the safety and health core rules.

**WAC 296-807-14025 Make sure airhose and plastic pipe supplying compressed air to portable air tools are safe.**

- (1) You must make sure the airhose and hose connections are suitable for the:
  - (a) Air pressure;
  - (b) Use.
- (2) You must make sure any plastic pipe used to supply compressed air for portable air tools has been specifically identified by the manufacturer as being suitable for compressed air use.

**Note:** Existing unapproved pipe that is buried underground or enclosed in shatter-resistant material is acceptable only if it completely eliminates the hazards created by the brittle nature of the pipe.

**WAC 296-807-14030 Make sure air tools are adequately designed and constructed.**

**EXEMPTION:**

This section does not apply to:

1. Tools specifically for medical or dental use;
2. Tools specifically for use in the food processing industry;
3. Tools mounted in stationary installations;
4. Air hoists;
5. Construction and mining tools such as paving breakers, diggers, tampers, and rock drills.

You must make sure portable, hand-held air tools meet the requirements of:

- (1) ANSI B186.1-1984, Safety Code for Portable Air Tools; or
- (2) ANSI/ISANTA SNT-101-1993, *Portable, Compressed-Air-Actuated, Fastener Driving Tools-Safety Requirements* for.

**Note:** There may be a statement on the tool or in the instruction manual indicating the tool meets the requirements of the appropriate ANSI standard. If in doubt, check with the manufacturer.

**WAC 296-807-14035 Use air tools safely.**

**EXEMPTION:**

This section does not apply to:

1. Tools specifically for medical or dental use;

**EXEMPTION:**

2. Tools specifically for use in the food processing industry;
3. Tools mounted in stationary installations;
4. Air hoists;
5. Construction and mining tools such as paving breakers, diggers, tampers, and rock drills.

- (1) You must relieve the pressure in the air line before disconnecting a compressed air tool from the line or disconnecting a hose joint unless there is automatic valve closing protection at the joint being separated.
- (2) You must disconnect the tool from the compressed air supply before repairs are done.
- (3) You must make sure that eye protection is worn at all times by:
  - (a) The person operating the tool;
  - (b) Other persons in the area where tools are being used.

**WAC 296-807-14040 Make sure fastener driving air tools (nailers and staplers) are safe.**

- (1) You must make sure any fastener driving air tool discharges all air in the tool when disconnected from the compressed air supply.
- (2) You must make sure that all pneumatically driven nailers, staplers, and other similar equipment provided with automatic fastener feed have a safety device on the muzzle to prevent the tool from ejecting fasteners, unless the muzzle is in contact with the work surface.

**Note:** Pneumatic nailers or staplers do not need this safety device if:

1. The overall weight of the fastening device does not exceed the weight of 1½ inches of standard 18-gauge wire. The normal maximum diameter tolerance for manufacturing standard 18-gauge wire is .045 inches.
2. The operator and any other person within 12 feet of the point of operation wear approved eye protection.

## **WAC 296-807-150 Powder actuated fastening systems.**

### Summary

| <b>Important:</b>   |
|---|
| This section applies to any powder actuated fastening system designed to use the expanding gases from a powder load to propel a stud, pin, fastener, or other object into hard structural material. |

| <b>EXEMPTION:</b>  |
|--|
| This section does not apply to:  |
| <ol style="list-style-type: none"> <li>1. Devices designed to attach objects to soft construction material such as wood, plaster, tar, and dry wallboard;</li> <li>2. Stud welding equipment.</li> </ol> |

**Your responsibility:** Make sure powder actuated fastening systems are used safely.

| <b><i>You must meet the requirements...</i></b>   | <b><i>in this section</i></b>     |
|---|-----------------------------------|
| Make sure tool operators are qualified  | <a href="#">WAC 296-807-15005</a> |
| Make sure employees are aware tools are in use and wear appropriate personal protective equipment (PPE) | <a href="#">WAC 296-807-15010</a> |
| Make sure tools are adequately designed and constructed   | <a href="#">WAC 296-807-15015</a> |
| Make sure tools and containers are properly labeled   | <a href="#">WAC 296-807-15020</a> |
| Make sure powder loads and power levels are properly identified   | <a href="#">WAC 296-807-15025</a> |
| Use proper powder loads   | <a href="#">WAC 296-807-15030</a> |
| Make sure the tool is appropriate to the job  | <a href="#">WAC 296-807-15035</a> |
| Make sure the operator uses the tool safely   | <a href="#">WAC 296-807-15040</a> |
| Use fasteners safely  | <a href="#">WAC 296-807-15045</a> |
| Inspect and maintain tools properly   | <a href="#">WAC 296-807-15050</a> |
| Make sure tools are stored properly   | <a href="#">WAC 296-807-15055</a> |

**WAC 296-807-15005 Make sure tool operators are qualified.**

- (1) You must make sure tools are used only by qualified operators.
- (2) You must make sure operators have been trained by an authorized instructor.

**Note:** Authorized instructors have to meet the instructor qualifications of ANSI A10.3-1995, Safety Requirements for Powder-Actuated Fastening Systems.

- (3) You must make sure all tool operators can:
  - (a) Understand the manufacturer's instructions;
  - (b) Clean the tool properly;
  - (c) Recognize any visibly worn or damaged parts;
  - (d) Identify power load levels;
  - (e) Operate the tool correctly.
- (4) You must make sure tool operators have a valid qualified operator's card in their possession when they are using the tool.

**WAC 296-807-15010 Make sure employees are aware tools are in use and wear appropriate personal protective equipment (PPE).**

- (1) You must make sure eye or face protection is worn by:
  - (a) Tool operators;
  - (b) Assistants;
  - (c) Persons close to where the tool is being used.
- (2) You must post signs where tools are being used and in adjacent areas where tool use could pose a hazard. Signs must:
  - (a) Be easily seen;
  - (b) Be at least 8 x 10 inches (20 x 25 cm);
  - (c) Use letters in boldface type at least 1 inch (2.5 cm) high;
  - (d) Read "POWDER ACTUATED TOOL IN USE" or similar wording.

**Note:** Tool use could create a hazard in adjacent areas by allowing a fastener to penetrate one or more of the following:

1. Wall;
2. Floor;
3. Other working surface.

**WAC 296-807-15015 Make sure tools are adequately designed and constructed.**

- (1) You must make sure the tool meets the design and construction requirements of the American National Standards Institute (ANSI) standard ANSI A10.3-1995, *Safety Requirements for Powder-Actuated Fastening Systems*.

**Note:** There may be a statement on the tool or in the instruction manual indicating the tool meets the requirements of the appropriate ANSI standard. If in doubt, check with the manufacturer.

- (2) You must make sure each tool has:
  - (a) Operator instructions and a tool service manual;
  - (b) Powder load and fastener chart;
  - (c) Service tools and accessories.

**WAC 296-807-15020 Make sure tools and containers are properly labeled.**

- (1) You must make sure tools are properly labeled.
- (2) You must make sure each tool has a readable, permanent label that shows the manufacturer's:
  - (a) Model number;
  - (b) Unique serial number.
- (3) You must make sure there is a durable warning label on each tool that:
  - (a) Reads “WARNING - FOR USE ONLY BY QUALIFIED OPERATORS ACCORDING TO MANUFACTURER'S INSTRUCTION MANUAL”; or
  - (b) Uses words with the same meaning.
- (4) You must make sure the tool storage container has these labels:
  - (a) “POWDER ACTUATED TOOL” on the outside of the container in an easily seen position.
  - (b) “WARNING - POWDER ACTUATED TOOL. TO BE USED ONLY BY A QUALIFIED OPERATOR AND KEPT UNDER LOCK AND KEY WHEN NOT IN USE” on the inside cover.

**WAC 296-807-15025 Make sure powder loads and power levels are properly identified.**

You must make sure powder loads and power levels are identified as specified in Table 3, Powder-Load Identification.



**Table 3 Powder-Load Identification**

|                     | Power Level | Color Identification |            |
|---------------------|-------------|----------------------|------------|
|                     |             | Case Color           | Load Color |
| Lowest power level  | 1           | Brass                | Gray       |
|                     | 2           | Brass                | Brown      |
|                     | 3           | Brass                | Green      |
|                     | 4           | Brass                | Yellow     |
|                     | 5           | Brass                | Red        |
|                     | 6           | Brass                | Purple     |
|                     | 7           | Nickel               | Gray       |
|                     | 8           | Nickel               | Brown      |
|                     | 9           | Nickel               | Green      |
|                     | 10          | Nickel               | Yellow     |
|                     | 11          | Nickel               | Red        |
| Highest power level | 12          | Nickel               | Purple     |

**WAC 296-807-15030 Use proper powder loads.**

You must use only a powder load that is:

- (1) Recommended by the tool manufacturer for the particular tool; or
- (2) One that provides the same level of safety and performance.

**WAC 296-807-15035 Make sure the tool is appropriate to the job.**

- (1) You must use the lowest velocity class of tool and load that will properly set the fastener.
- (2) You must use the proper shield, fixture, adaptor, or accessory that is:
  - (a) Suitable for the job;
  - (b) Recommended and supplied by the manufacturer.

**WAC 296-807-15040 Make sure the operator uses the tool safely.**

- (1) You must make sure the operator:
  - (a) Inspects the tool before using it, as recommended by the tool manufacturer;
  - (b) Uses the tool according to the manufacturer's instructions;
  - (c) Keeps the tool unloaded until just before using it;
  - (d) Unloads the tool at once if work is interrupted after the tool has been loaded;

- (e) Does not leave a tool or powder load unattended where it would be available to an unauthorized person;
- (f) Never points a tool (loaded or unloaded) at any part of a person's body.

**Note:** A magazine or clip-fed tool is not considered loaded until a powder load is actually in the ram (firing chamber).

- (2) You must make sure tools are not used in an explosive or flammable atmosphere.
- (3) You must do this if the tool misfires:
  - (a) Hold it firmly against the work surface for 30 seconds; then
  - (b) Follow the instructions in the tool manufacturer's instruction manual.
- (4) You must hold the tool perpendicular to the work surface when fastening to any material.

**EXEMPTION:**

This does not apply if the tool manufacturer recommends a different technique for a specific job.

**WAC 296-807-15045 Use fasteners safely.**

- (1) You must use fasteners:
  - (a) Recommended by the tool manufacturer for the particular tool; or
  - (b) Fasteners that provide the same level of safety and performance.
- (2) You must keep the fastener from passing completely through the structural material by using a backing material when driving a fastener into any material that is any of the following:
  - (a) Easily penetrated;
  - (b) Thin;
  - (c) Of questionable resistance.
- (3) You must make sure the material is suitable for fastening. Do not drive fasteners into very hard or brittle material such as:
  - (a) Cast iron;
  - (b) Glazed tile;
  - (c) Hardened steel;
  - (d) Glass block;
  - (e) Natural rock;

- (f) Hollow tile;
- (g) Most brick.
- (4) You must make sure positive alignment with an existing hole is maintained by using a guide or other means supplied or recommended by the tool manufacturer before driving a fastener into the hole.
- (5) You must make sure fasteners are not driven into any spalled (chipped or crumbled) area.
- (6) You must drive fasteners into concrete only if the fastener shank will penetrate no more than 1/3 the thickness of the concrete.
- (7) You must make sure fasteners are driven at least:
  - (a) One-half inch (13 mm) from the edge of steel;
  - (b) Three inches (75 mm) from the unsupported edge of masonry material.

**EXEMPTION:**

This does not apply if an application is specifically required or recommended by the tool manufacturer.

**WAC 296-807-15050 Inspect and maintain tools properly.**

- (1) You must make sure any tool that is not in proper working condition is:
  - (a) Immediately removed from service;
  - (b) Tagged;
  - (c) Properly repaired as specified in the manufacturer's instructions before being used again.
- (2) You must regularly service the tool and inspect it for worn or damaged parts at intervals recommended by the tool manufacturer.
- (3) You must replace worn or damaged parts before the tool is used. This must be done:
  - (a) By a qualified person;
  - (b) Using only parts supplied by the tool manufacturer.
- (4) You must keep a written record of inspection dates.

**WAC 296-807-15055 Make sure tools are stored properly.**

- (1) You must make sure there is a container that can be locked for each tool.
- (2) You must make sure tools and powder loads that are not being used are:
  - (a) Locked in a container;
  - (b) Stored in a safe place;
  - (c) Only available to authorized persons.

- (3) You must store all manuals, maintenance tools, and accessories in the tool container when they are not being used.

## **WAC 296-807-160 Power lawnmowers.**

### **Summary**

| <b>EXEMPTION:</b>  |
|--|
| <p>This section does not apply to commercial equipment that is:</p> <ol style="list-style-type: none"> <li>1. Designed primarily for agricultural purposes; or</li> <li>2. Designed primarily to be operated with tractors having at least 20 horsepower for cutting grass or other growth on highways.</li> </ol> |

**Your responsibility:** Make sure power lawnmowers are used safely.

| <b><i>You must meet the requirements...</i></b>                                       | <b><i>in this section</i></b>     |
|---|-----------------------------------|
| Make sure equipment meets minimum design and construction requirements                | <a href="#">WAC 296-807-16005</a> |
| Make sure the equipment has the appropriate labels and decals                         | <a href="#">WAC 296-807-16010</a> |
| Make sure the operator understands and follows instructions before starting the mower | <a href="#">WAC 296-807-16015</a> |
| Use the equipment safely  | <a href="#">WAC 296-807-16020</a> |
| Protect employees from fuel and exhaust   | <a href="#">WAC 296-807-16025</a> |
| Use walk-behind mowers safely   | <a href="#">WAC 296-807-16030</a> |
| Use ride-on mowers safely   | <a href="#">WAC 296-807-16035</a> |

### **WAC 296-807-16005 Make sure equipment meets minimum design and construction requirements.**

- (1) You must make sure equipment meets ANSI design and construction requirements.
- (a) Make sure power lawnmowers manufactured on or after August 1, 2003, meet the requirements of the appropriate ANSI standard:
- (i) ANSI B71.1-1998, *American National Standard for Consumer Turf Care Equipment - Walk-Behind Mowers and Ride-On Machines with Mowers - Safety Specifications*; or
  - (ii) ANSI B71.4-1999, *American National Standard for Commercial Turf Care Equipment - Safety Specifications*.

- (b) Make sure noncommercial power lawnmowers manufactured before the effective date of this chapter meet the requirements in Chapter [296-806](#) WAC, Machine safety.

**Note:** There may be a statement on the tool or in the instruction manual indicating the tool meets the requirements of the appropriate ANSI standard. If in doubt, check with the manufacturer.

- (2) You must position, guard or shield all power-driven shafts, chains, belts, gears, friction drive components, nip and pinch points, and any exposed components hot enough to cause burns while:
  - (a) Starting;
  - (b) Mounting;
  - (c) Operating the machine.
- (3) You must have a shutoff device that:
  - (a) Will stop the motor or engine; and
  - (b) Has to be intentionally and manually activated before the motor or engine can be restarted.

**WAC 296-807-16010 Make sure the equipment has the appropriate labels and decals.**

- (1) You must make sure all positions of the operating controls are clearly identified.
- (2) You must make sure warning and caution labels or decals on the mower are readable and replace them if necessary.

**WAC 296-807-16015 Make sure the operator understands and follows instructions before starting the mower.**

- (1) You must make sure the operator understands all instructions for operating the mower that are in the manufacturer's instructions and on the machine.
- (2) You must make sure the operator is thoroughly familiar with the controls and proper use of the mower before starting it.
- (3) You must make sure the proper guards, plates, grass catcher or other safety devices are in place before starting the mower.

**WAC 296-807-16020 Use the equipment safely.**

- (1) You must follow the manufacturer's instructions for safe use of the equipment.
- (2) You must keep people clear of discharge opening(s).
- (3) You must keep people's hands and feet clear of rotating parts.
- (4) You must clear the area of objects such as rocks, toys, wire, bones, sticks, etc., which could be picked up and thrown by the blade and create a hazard for the operator or other persons.

- (5) You must make sure the operator stops the engine before:
  - (a) Leaving the equipment;
  - (b) Unclogging the grass discharge chute;
  - (c) Cleaning the mower.
- (6) You must make sure the operator wears safety goggles or safety glasses with side shields when operating the mower.

**Note:** Use the personal protective equipment (PPE) hazard assessment to determine the type of footwear and other PPE the employees need to wear. See WAC [296-800-160](#), PPE, in the safety and health core rules.

### WAC 296-807-16025 Protect employees from fuel and exhaust.

**EXEMPTION:**

This section does not apply to electric engines.

- (1) You must make sure to:
  - (a) Keep the gas cap on whenever the engine is running.
  - (b) Shut off the engine before and during refueling.
- (2) You must make sure not to refuel the machine indoors.
- (3) You must make sure not to run the engine in a closed area.

**EXEMPTION:**

You can refuel the machine indoors or run the engine in a closed area if the area was specifically designed for such use.

### WAC 296-807-16030 Use walk-behind mowers safely.

- (1) You must make sure the operator wears substantial footwear when operating a walk-behind mower.

**Note:** Use the personal protective equipment (PPE) hazard assessment to determine the type of footwear and other PPE the employees need to wear. See WAC [296-800-160](#), PPE, in the safety and health core rules.

- (2) You must mow across the face of a slope.

**WAC 296-807-16035 Use ride-on mowers safely.**

- (1) You must make sure not to carry passengers.
- (2) You must make sure the operator looks down and behind before and while moving backwards.

**WAC 296-807-170 Jacks.****Summary**

| <b>Important:</b>  |
|--|
| <p>This section applies to portable hand- or powered-operated:</p> <ol style="list-style-type: none"> <li>1. Hydraulic jacks;</li> <li>2. Mechanical ratchet jacks;</li> <li>3. Mechanical screw jacks.</li> </ol> |

**Your responsibility:** Make sure jacks are safe to use.

| <b><i>You must meet the requirements...</i></b>            | <b><i>in this section</i></b>     |
|--|-----------------------------------|
| Make sure jacks are labeled with their rated load(s)       | <a href="#">WAC 296-807-17005</a> |
| Make sure the jack is safe to lift the load                | <a href="#">WAC 296-807-17010</a> |
| Lift the load safely                                       | <a href="#">WAC 296-807-17015</a> |
| Visually inspect jacks and keep them in good working order | <a href="#">WAC 296-807-17020</a> |

**WAC 296-807-17005 Make sure jacks are labeled with their rated load(s).**

You must make sure the rated load(s) of the jack is:

- (1) Readable;
- (2) Durably marked in an easily seen location on the jack.

**WAC 296-807-17010 Make sure the jack is safe to lift the load.**

- (1) You must visually examine the general condition of the jack before each use.

|   |
|---|
| <p><b>Note:</b> If a jack is to be used more than once on a shift, the visual examination is only required before the jack is used for the first time that shift.</p> |
|---|

- (2) You must make sure the weight to be lifted or supported is within the rated load of the jack.
- (3) You must make sure the base of the jack is on a firm foundation or blocked before lifting the load.
- (4) You must make sure hydraulic jacks exposed to freezing temperatures function properly at the temperature at which they will be used.

**WAC 296-807-17015 Lift the load safely.**

- (1) You must place a block between the load cap and the load if the load could slip off the jack.
- (2) You must secure the load from falling or slipping immediately after it is raised by one or more of the following:
  - (a) Cribbing;
  - (b) Blocking;
  - (c) Some other equally effective method.
- (3) You must make sure you do not exceed the limit of travel of the jack.

**Note:** The limit of travel can be determined by one or more of the following:

1. A positive stop;
2. A stop indicator;
3. Some other equally effective method.

**WAC 296-807-17020 Visually inspect jacks and keep them in good working order.**

**Note:** There are two types of inspection, frequent or periodic, depending on how often they are done.

- (1) You must inspect jacks at appropriate intervals:
  - (a) Make sure frequent inspections are done by the operator or other designated person as follows:
    - (i) Before a jack is first placed in service;
    - (ii) Monthly for a jack used in normal service;
    - (iii) Daily or before each use for a jack used for other than normal service;
    - (iv) Before using a jack that has been altered, modified, or repaired;
    - (v) Before using a jack that has not been used in one year or more.
  - (b) Make sure a periodic inspection of the jack is done once a year.
  - (c) Inspect the jack using Table 4, Jack Inspection Requirements, during any frequent or periodic inspection.



- (2) You must make sure a jack that is out of order is:
- (a) Tagged;
  - (b) Not used until repaired.
- (3) You must make sure a jack is properly lubricated at regular intervals.

**Note:** The jack should be lubricated following the manufacturer's instructions.

**Table 4 Jack Inspection Requirements**

| Inspection Item   | Frequent Inspection | Periodic Inspection |
|---|---------------------|---------------------|
| Check all of the following items that apply to the jack:    |                     |                     |
| Improper pawl engagement                                    | X                   | X                   |
| Excessive pawl wear   | X                   | X                   |
| Chipped, cracked, or worn rack teeth                        | X                   | X                   |
| Cracked or damaged housing                                  | X                   | X                   |
| Damaged, bent, or worn threads                              | X                   | X                   |
| Leaking hydraulic fluid                                     | X                   | X                   |
| Scored or damaged plunger                                   | X                   | X                   |
| Improper functioning  | X                   | X                   |
| Free movement of swivel, heads, and caps                    | X                   | X                   |
| Loose bolts or rivets                                       | X                   | X                   |
| Damaged or improperly assembled accessory equipment         | X                   | X                   |
| Rack wear or bending  | X                   | X                   |
| Other items as specified in the manufacturer's instructions | X                   | X                   |
| Watch the jack during operation                             | X                   | X                   |

| Inspection Item  | Frequent Inspection | Periodic Inspection |
|--|---------------------|---------------------|
| More detailed inspection required if a designated person determines any condition discovered is a hazard | X                   |                     |
| Clean and check internal parts for wear or damage if inspection indicates an internal problem            |                     | X                   |

## **WAC 296-807-180 Portable tools using abrasive wheels.**

### Summary

| <b>Important:</b>   |
|---|
| This section applies to portable tools using abrasive wheels. |

| <b>EXEMPTION:</b>   |
|---|
| <p>This section does not apply to machines using:</p> <ol style="list-style-type: none"> <li>1. Natural sandstone wheels;</li> <li>2. Pulpstone wheels;</li> <li>3. Coated abrasive products;</li> <li>4. Loose abrasives.</li> </ol> |

**Your responsibility:** Make sure abrasive wheel tools and wheels are safe to use.

| <b>You must meet the requirements...</b>   | <b>in this section</b>            |
|--|-----------------------------------|
| Make sure abrasive wheels and tools are properly designed and constructed  | <a href="#">WAC 296-807-18005</a> |
| Make sure machines have safety guards  | <a href="#">WAC 296-807-18010</a> |
| Keep safety guards in good functional condition  | <a href="#">WAC 296-807-18015</a> |
| Use specific safety guards for machines using Type 1 grinding wheels, cutting-off wheels, and tuck pointing wheels | <a href="#">WAC 296-807-18020</a> |

| <b><i>You must meet the requirements...</i></b>   | <b><i>in this section</i></b>     |
|---|-----------------------------------|
| Use specific safety guards for vertical and angle grinders using Type 6 or Type 11 wheels   | <a href="#">WAC 296-807-18025</a> |
| Use specific safety guards for vertical and angle grinders using Type 27, 28 and 29 wheels  | <a href="#">WAC 296-807-18030</a> |
| Use side handles on vertical and angle grinders   | <a href="#">WAC 296-807-18035</a> |
| Make sure abrasive wheels are safe to use   | <a href="#">WAC 296-807-18040</a> |
| Mount wheels properly   | <a href="#">WAC 296-807-18045</a> |
| Use proper flanges  | <a href="#">WAC 296-807-18050</a> |
| Make sure flanges are in good condition   | <a href="#">WAC 296-807-18055</a> |
| Use specific flanges for Type 1 cutting-off wheels  | <a href="#">WAC 296-807-18060</a> |
| Use specific flanges for Type 27A cutting-off wheels  | <a href="#">WAC 296-807-18065</a> |
| Use specific flanges for threaded hole wheels   | <a href="#">WAC 296-807-18070</a> |
| Use specific flanges for cup, cone or plug wheels with threaded inserts or projecting studs | <a href="#">WAC 296-807-18075</a> |
| Use blotters when required  | <a href="#">WAC 296-807-18080</a> |
| Meet specific blotter requirements when using modified Types 6 and 11 wheels (terrazzo)     | <a href="#">WAC 296-807-18085</a> |

**WAC 296-807-18005 Make sure abrasive wheels and tools are properly designed and constructed.**

You must make sure abrasive wheels and tools meet the design and construction requirements of:

- (1) American National Standards Institute (ANSI) B7.1-2000, Safety Requirements for the Use, Care and Protection of Abrasive Wheels; or
- (2) ANSI B186.1-1984, Safety Code for Portable Air Tools.

**Note:** Tools may have a statement on the tool or in the instruction manual that the tool meets the appropriate ANSI standard. If in doubt, check with the manufacturer.

**WAC 296-807-18010 Make sure machines have safety guards.**

- (1) You must use abrasive wheels only on machines that have safety guards.
- (2) You must make sure the safety guard:
  - (a) Is mounted so it maintains proper alignment with the wheel;
  - (b) Is mounted with fasteners strong enough to keep the guard in position if a wheel breaks;
  - (c) Is positioned to deflect pieces of an accidentally broken wheel away from the operator;
  - (d) Covers the spindle end, nut, and flange projections.

**EXEMPTION:**

Safety guards are not required on machines that use:

1. Wheels for internal grinding while advancing, retracting or within the work.
2. Mounted wheels 2 inches or less in diameter.
3. Types 16, 17, 18, 18R, and 19 cones and plugs and threaded hole pot balls where the work offers protection or the size does not exceed 3 inches in diameter by 5 inches long.
4. Notched, segmented, or continuous rim metal centered diamond lapidary wheels that are used with a coolant deflector and operated at 3,500 SFPM or less.
5. Type 1 wheels that are:
  - a. 2 inches or less in diameter;
  - b. ½ inch or less thick;
  - c. Operating at peripheral speeds less than 1,800 SFPM;
  - d. Mounted on mandrels and used in portable drills.
6. Type 1 reinforced wheels that are:
  - a. 3 inches or less in diameter ¼ inch or less thick;
  - b. Operating at peripheral speeds of 9,500 SFPM or less;
  - c. Used by operators wearing safety glasses and face shields;
  - d. Valve seating grinding wheels.

**WAC 296-807-18015 Keep safety guards in good functional condition.**

- (1) You must make sure safety guards are in good functional condition.
- (2) You must replace any safety guard that:

- (a) Is damaged, bent or severely worn; or
- (b) Has been hit by parts from a breaking wheel.

**WAC 296-807-18020 Use specific safety guards for machines using Type 1 grinding wheels, cutting-off wheels, and tuck pointing wheels.**

You must make sure the safety guard covers the top and sides of the wheel for at least 180°.

**Note:** It is not required to cover the spindle end, nut and outer flange.

**WAC 296-807-18025 Use specific safety guards for vertical and angle grinders using Type 6 or Type 11 wheels.**

- (1) You must make sure the safety guard:
  - (a) Covers the wheel's plane of rotation toward the operator for at least 180°;
  - (b) Covers the side of the wheel toward the driving flange for at least 180°;
  - (c) Has a skirt which is adjustable to within 1/8 inch of the plane of the surface of the wheel.
- (2) You must make sure not to use a “revolving cup guard.”

**Note:** “Cup back bushings” do not substitute for safety guards.

**WAC 296-807-18030 Use specific safety guards for vertical and angle grinders using Type 27, 28 and 29 wheels.**

You must make sure safety guards:

- (1) Cover the wheel's plane of rotation toward the operator for at least 180°.
- (2) Cover the side of the wheel toward the driving flange for at least 180°.
- (3) Have a lip on the outer edge that:
  - (a) Extends beyond the surface of the wheel throughout the 180° coverage; and
  - (b) Curls inward to deflect wheel fragments.

**WAC 296-807-18035 Use side handles on vertical and angle grinders.**

You must use a side handle on all 4-inch and larger vertical and angle grinders.

**WAC 296-807-18040 Make sure abrasive wheels are safe to use.**

- (1) You must do the following before mounting a wheel:
  - (a) Visually inspect the wheel for cracks or damage;
  - (b) Perform a ring test for cracks (size and shape of the wheel permitting);

- (c) Make sure the spindle speed of the machine is not greater than the operating speed of the wheel.
- (2) You must make sure a damaged or cracked wheel is not mounted or used.

**WAC 296-807-18045 Mount wheels properly.**

- (1) You must make sure wheels fit freely on the spindle, wheel sleeves, or adaptors, and remain free under all grinding conditions.
- (2) You must make sure wheel, blotter and flange surfaces that contact each other are flat and free of foreign particles.
- (3) You must make sure any reducing bushing used in the wheel hole:
  - (a) Fits freely on the spindle and maintains proper clearance;
  - (b) Does not exceed the width of the wheel or contact the flanges.
- (4) You must make sure that multiple wheels mounted between a single set of flanges are either:
  - (a) Cemented together; or
  - (b) Separated by spacers that have a diameter and bearing surface that is the same as the mounting flanges.

**WAC 296-807-18050 Use proper flanges.**

- (1) You must mount all abrasive wheels between flanges that have a diameter at least 1/3 the diameter of the wheel.

**EXEMPTION:**

This requirement does not apply to the following types of wheels:

1. Mounted wheels;
2. Cup, cone or plug wheels with threaded inserts or projecting studs;
3. Abrasive disc wheels (inserted nut, inserted washer and projecting stud type);
4. Plate mounted wheels;
5. Cylinder, cup, or segmental wheels mounted in chucks;
6. Type 27, 28 and 29 wheels;
7. Internal wheels less than 2 inches in diameter;
8. Modified Type 6 and 11 wheels (Terrazzo).
9. Type 1 and 27A cutting-off wheels;

- (2) You must make sure flanges are:
  - (a) Dimensionally accurate;
  - (b) Properly balanced;
  - (c) Flat;

- (d) Free of rough surfaces or sharp edges.
- (3) You must make sure, if a wheel is mounted between two flanges, that both flanges:
  - (a) Are the same diameter;
  - (b) Have equal bearing surfaces.

**EXEMPTION:**

The following wheels do not require same diameter, equal bearing surface flanges.

1. Types 27, 28, and 29 wheels with adaptors;
2. Modified Types 6 and 11 wheels with tapered K dimension;
3. Internal wheels less than 2 inches in diameter.

- (4) You must make sure the driving flange is:
  - (a) Part of the spindle; or
  - (b) Securely fastened to the spindle.

**WAC 296-807-18055 Make sure flanges are in good condition.**

- (1) You must make sure flange bearing surfaces are in good condition.
- (2) You must replace or remachine any flange with a mounting surface that has any of the following problems:
  - (a) Warped;
  - (b) Burred on the bearing surface;
  - (c) Excessively worn (thickness or diameter);
  - (d) Out of true.

**Note:** Flanges that are refaced or trued need to satisfy minimum dimension requirements specified in ANSI B7.1-2000, Safety Requirements for the Use, Care and Protection of Abrasive Wheels.

**WAC 296-807-18060 Use specific flanges for Type 1 cutting-off wheels.**

You must mount Type 1 cutting-off wheels between flanges that are:

- (1) Properly relieved with matching bearing surfaces;
- (2) At least one-quarter the wheel diameter.

**Note:** American National Standards Institute (ANSI) B7.1-2000, Safety Requirements for the Use, Care and Protection of Abrasive Wheels, has specific exemptions for some reinforced, bonded abrasive cutting-off wheels and steel centered, diamond cutting-off wheels. These wheels are primarily used for masonry cutting and concrete sawing.

### **WAC 296-807-18065 Use specific flanges for Type 27A cutting-off wheels.**

You must mount Type 27A cutting-off wheels between flanges that are:

- (1) Flat (unrelieved) with matching bearing surfaces;
- (2) At least one-quarter the wheel diameter.

### **WAC 296-807-18070 Use specific flanges for threaded hole wheels.**

You must use a back flange to mount threaded hole wheels that is:

- (1) Flat (unrelieved);
- (2) Securely fastened and square to the spindle axis;
- (3) Able to properly support the wheel.

### **WAC 296-807-18075 Use specific flanges for cup, cone or plug wheels with threaded inserts or projecting studs.**

You must mount cup, cone or plug wheels with threaded inserts or projecting studs against a straight, unrelieved flange.

### **WAC 296-807-18080 Use blotters when required.**

- (1) You must use a blotter between each flange and the abrasive wheel surface to uniformly distribute flange pressure.
- (2) You must make sure the blotter covers the entire flange contact area.
- (3) You must use a new blotter each time a wheel is mounted unless the wheel has a blotter already attached to it by the manufacturer.
- (4) You must make sure scuffed or damaged blotters are not used.

#### **EXEMPTION:**

You do not need to use a blotter with:

1. Mounted wheels;
2. Abrasive disc and Type 2 wheels which are mounted by inserted nuts, inserted washers, or projecting studs;
3. Plate mounted wheels;
4. Wheels mounted in chucks (such as cylinders and segmental wheels)
5. Types 27, 28, and 29 wheels;



**EXEMPTION:**

6. Type 1 and Type 27A cutting-off wheels;
7. Internal wheels less than 2 inches in diameter;
8. Diamond and cubic boron nitride wheels with metal or carbon fiber cores.

**WAC 296-807-18085 Meet specific blotter requirements when using modified Types 6 and 11 wheels (terrazzo).**

You must mount modified Types 6 and 11 wheels (terrazzo) with a blotter applied to the flat side of the wheel only.

**WAC 296-807-099 Definitions.**

[Statutory Authority: RCW 49.17.010, .040, and .050. 15-23-086 (Order 14-16) § 296-807-099, filed 11/17/15 effective 12/17/15. Statutory Authority: RCW 49.17.010, [49.17].040,[49.17].050 , and [49.17].060. 03-09-009, § 296-807-190, filed 4/4/03, effective 8/1/03.]

**WAC 296-807-100 Scope.**

[Statutory Authority: RCW 49.17.010, .040, and .050. 15-23-086 (Order 14-16) § 296-807-100, filed 11/17/15 effective 12/17/15. Statutory Authority: RCW 49.17.010, 49.17.040, 49.17.050, 49.17.060. 07-03-163, § 296-807-100, filed 1/24/07, effective 4/1/07; 03-09-009, § 296-807-100, filed 4/4/03, effective 8/1/03.]

**WAC 296-807-110 Switches (controls).**

[Statutory Authority: RCW 49.17.010, .040, and .050. 15-23-086 (Order 14-16) § 296-807-110, filed 11/17/15 effective 12/17/15. Statutory Authority: RCW 49.17.010, [49.17].040,[49.17].050 , and [49.17].060. 03-09-009, § 296-807-110, filed 4/4/03, effective 8/1/03.]

**WAC 296-807-11005 Make sure switches are safe.**

[Statutory Authority: RCW 49.17.010, .040, and .050. 15-23-086 (Order 14-16) § 296-807-11005, filed 11/17/15 effective 12/17/15. Statutory Authority: RCW 49.17.010, [49.17].040,[49.17].050 , and [49.17].060. 03-09-009, § 296-807-11005, filed 4/4/03, effective 8/1/03.]

**WAC 296-807-120 Portable circular saws.**

Statutory Authority: RCW 49.17.010, [49.17].040,[49.17].050 , and [49.17].060. 03-09-009, § 296-807-120, filed 4/4/03, effective 8/1/03.]

**WAC 296-807-12005 Make sure portable circular saws are safe to use.**

[Statutory Authority: RCW 49.17.010, .040, and .050. 15-23-086 (Order 14-16) § 296-807-12005, filed 11/17/15 effective 12/17/15. Statutory Authority: RCW 49.17.010, [49.17].040,[49.17].050 , and [49.17].060. 03-09-009, § 296-807-12005, filed 4/4/03, effective 8/1/03.]

**WAC 296-807-130 Portable belt sanding machines.**

[Statutory Authority: RCW 49.17.010, [49.17].040,[49.17].050 , and [49.17].060. 03-09-009, § 296-807-130, filed 4/4/03, effective 8/1/03.]

**WAC 296-807-13005 Guard portable belt sanding machines.**

[Statutory Authority: RCW 49.17.010, .040, and .050. 15-23-086 (Order 14-16) § 296-807-13005, filed 11/17/15 effective 12/17/15. Statutory Authority: RCW 49.17.010, [49.17].040,[49.17].050 , and [49.17].060. 03-09-009, § 296-807-13005, filed 4/4/03, effective 8/1/03.]

**WAC 296-807-140 Compressed air tools.**

[Statutory Authority: RCW 49.17.010, .040, and .050. 15-23-086 (Order 14-16) § 296-807-140, filed 11/17/15 effective 12/17/15. Statutory Authority: RCW 49.17.010, [49.17].040,[49.17].050 , and [49.17].060. 03-09-009, § 296-807-140, filed 4/4/03, effective 8/1/03.]

**WAC 296-807-14005 Follow the manufacturer's instructions.**

[Statutory Authority: RCW 49.17.010, .040, and .050. 15-23-086 (Order 14-16) § 296-807-14005, filed 11/17/15 effective 12/17/15. Statutory Authority: RCW 49.17.010, [49.17].040,[49.17].050 , and [49.17].060. 03-09-009, § 296-807-14005, filed 4/4/03, effective 8/1/03.]

**WAC 296-807-14010 Prevent air tools from ejecting attachments.**

[Statutory Authority: RCW 49.17.010, .040, and .050. 15-23-086 (Order 14-16) § 296-807-14010, filed 11/17/15 effective 12/17/15. Statutory Authority: RCW 49.17.010, [49.17].040,[49.17].050 , and [49.17].060. 03-09-009, § 296-807-14010, filed 4/4/03, effective 8/1/03.]

**WAC 296-807-14015 Protect employees from contact with compressed air.**

[Statutory Authority: RCW 49.17.010, .040, and .050. 15-23-086 (Order 14-16) § 296-807-14015, filed 11/17/15 effective 12/17/15. Statutory Authority: RCW 49.17.010, [49.17].040,[49.17].050 , and [49.17].060. 03-09-009, § 296-807-14015, filed 4/4/03, effective 8/1/03.]

**WAC 296-807 14020 Make sure safeguards are used when cleaning with compressed air.**

[Statutory Authority: RCW 49.17.010, .040, and .050. 15-23-086 (Order 14-16) § 296-807-14020, filed 11/17/15 effective 12/17/15. Statutory Authority: RCW 49.17.010, [49.17].040,[49.17].050 , and [49.17].060. 03-09-009, § 296-807-14020, filed 4/4/03, effective 8/1/03.]

**WAC 296-807-14025 Make sure air hose and plastic pipe supplying compressed air to portable tools are safe.**

[Statutory Authority: RCW 49.17.010, .040, and .050. 15-23-086 (Order 14-16) § 296-807-14025, filed 11/17/15 effective 12/17/15. Statutory Authority: RCW 49.17.010, [49.17].040,[49.17].050 , and [49.17].060. 03-09-009, § 296-807-14025, filed 4/4/03, effective 8/1/03.]

**WAC 296-14030 Make sure air tools are adequately designed and constructed.**

[Statutory Authority: RCW 49.17.010, .040, and .050. 15-23-086 (Order 14-16) § 296-807-14030, filed 11/17/15 effective 12/17/15. Statutory Authority: RCW 49.17.010, [49.17].040,[49.17].050 , and [49.17].060. 03-09-009, § 296-807-14030, filed 4/4/03, effective 8/1/03.]

**WAC 296-807-14035 Use air tools safely.**

[Statutory Authority: RCW 49.17.010, .040, and .050. 15-23-086 (Order 14-16) § 296-807-14035, filed 11/17/15 effective 12/17/15. Statutory Authority: RCW 49.17.010, 49.17.040, 49.17.050, 49.17.060. 07-03-163, § 296-807-14035, filed 1/24/07, effective 4/1/07; 03-09-009, § 296-807-14035, filed 4/4/03, effective 8/1/03.]

***WAC 296-807-14040 Make sure fastener driving air tools (nailers and staplers) are safe.***

[Statutory Authority: RCW 49.17.010, .040, and .050. 15-23-086 (Order 14-16) § 296-807-14040, filed 11/17/15 effective 12/17/15. Statutory Authority: RCW 49.17.010, [49.17].040,[49.17].050 , and [49.17].060. 03-09-009, § 296-807-14040, filed 4/4/03, effective 8/1/03.]

***WAC 296-807-150 Powder actuated fastening systems.***

[Statutory Authority: RCW 49.17.010, .040, and .050. 15-23-086 (Order 14-16) § 296-807-150, filed 11/17/15 effective 12/17/15. Statutory Authority: RCW 49.17.010, [49.17].040,[49.17].050 , and [49.17].060. 03-09-009, § 296-807-150, filed 4/4/03, effective 8/1/03.]

***WAC 296-807-15005 Make sure tool operators are qualified.***

[Statutory Authority: RCW 49.17.010, .040, and .050. 15-23-086 (Order 14-16) § 296-807-15005, filed 11/17/15 effective 12/17/15. Statutory Authority: RCW 49.17.010, [49.17].040,[49.17].050 , and [49.17].060. 03-09-009, § 296-807-15005, filed 4/4/03, effective 8/1/03.]

***WAC 296-807-15010 Make sure employees are aware tools are in use and wear appropriate personal protective equipment (PPE).***

[Statutory Authority: RCW 49.17.010, .040, and .050. 15-23-086 (Order 14-16) § 296-807-15010, filed 11/17/15 effective 12/17/15. Statutory Authority: RCW 49.17.010, 49.17.040, 49.17.050, 49.17.060. 07-03-163, § 296-807-15010, filed 1/24/07, effective 4/1/07; 03-09-009, § 296-807-15010, filed 4/4/03, effective 8/1/03.]

***WAC 296-807-15015 Make sure tools are adequately designed and constructed.***

[Statutory Authority: RCW 49.17.010, .040, and .050. 15-23-086 (Order 14-16) § 296-807-15015, filed 11/17/15 effective 12/17/15. Statutory Authority: RCW 49.17.010, [49.17].040,[49.17].050 , and [49.17].060. 03-09-009, § 296-807-15015, filed 4/4/03, effective 8/1/03.]

***WAC 296-807-15020 Make sure tools and containers are properly labeled.***

[Statutory Authority: RCW 49.17.010, .040, and .050. 15-23-086 (Order 14-16) § 296-807-15020, filed 11/17/15 effective 12/17/15. Statutory Authority: RCW 49.17.010, [49.17].040,[49.17].050 , and [49.17].060. 03-09-009, § 296-807-15020, filed 4/4/03, effective 8/1/03.]

***WAC 296-807-15025 Make sure powder loads and power levels are properly identified.***

[Statutory Authority: RCW 49.17.010, .040, and .050. 15-23-086 (Order 14-16) § 296-807-15025, filed 11/17/15 effective 12/17/15. Statutory Authority: RCW 49.17.010, [49.17].040,[49.17].050 , and [49.17].060. 03-09-009, § 296-807-15025, filed 4/4/03, effective 8/1/03.]

***WAC 296-807-15030 Use of proper powder loads.***

[Statutory Authority: RCW 49.17.010, .040, and .050. 15-23-086 (Order 14-16) § 296-807-15030 filed 11/17/15 effective 12/17/15. Statutory Authority: RCW 49.17.010, [49.17].040,[49.17].050 , and [49.17].060. 03-09-009, § 296-807-15030, filed 4/4/03, effective 8/1/03.]

***WAC 296-307-15035 Make sure the tool is appropriate to the job.***

[Statutory Authority: RCW 49.17.010, .040, and .050. 15-23-086 (Order 14-16) § 296-807-15035, filed 11/17/15 effective 12/17/15. Statutory Authority: RCW 49.17.010, [49.17].040,[49.17].050 , and [49.17].060. 03-09-009, § 296-807-15035, filed 4/4/03, effective 8/1/03.]

***WAC 296-807-15040 Make sure the operator uses the tool safely.***

[Statutory Authority: RCW 49.17.010, .040, and .050. 15-23-086 (Order 14-16) § 296-807-15040, filed 11/17/15 effective 12/17/15. Statutory Authority: RCW 49.17.010, [49.17].040,[49.17].050 , and [49.17].060. 03-09-009, § 296-807-15040, filed 4/4/03, effective 8/1/03.]

***WAC 296-807-15045 Use fasteners safely.***

[Statutory Authority: RCW 49.17.010, .040, and .050. 15-23-086 (Order 14-16) § 296-807-15045, filed 11/17/15 effective 12/17/15. Statutory Authority: RCW 49.17.010, [49.17].040,[49.17].050 , and [49.17].060. 03-09-009, § 296-807-15045, filed 4/4/03, effective 8/1/03.]

***WAC 296-807-15050 Inspect and maintain tools properly.***

[Statutory Authority: RCW 49.17.010, .040, and .050. 15-23-086 (Order 14-16) § 296-807-15050, filed 11/17/15 effective 12/17/15. Statutory Authority: RCW 49.17.010, [49.17].040,[49.17].050 , and [49.17].060. 03-09-009, § 296-807-15050, filed 4/4/03, effective 8/1/03.]

***WAC 296-807-15055 Make sure tools are stored properly.***

[Statutory Authority: RCW 49.17.010, .040, and .050. 15-23-086 (Order 14-16) § 296-807-15055, filed 11/17/15 effective 12/17/15. Statutory Authority: RCW 49.17.010, [49.17].040,[49.17].050 , and [49.17].060. 03-09-009, § 296-807-15055, filed 4/4/03, effective 8/1/03.]

***WAC 296-807-160 Power lawnmowers.***

[Statutory Authority: RCW 49.17.010, .040, and .050. 15-23-086 (Order 14-16) § 296-807-160, filed 11/17/15 effective 12/17/15.  
Statutory Authority: RCW 49.17.010, [49.17].040,[49.17].050 , and [49.17].060. 03-09-009, § 296-807-160, filed 4/4/03, effective 8/1/03.]

***WAC 296-16005 Make sure equipment meets minimum design and construction requirements.***

[Statutory Authority: RCW 49.17.010, .040, and .050. 15-23-086 (Order 14-16) § 296-807-16005, filed 11/17/15 effective 12/17/15.  
Statutory Authority: RCW 49.17.010, 49.17.040, 49.17.050, 49.17.060. 06-05-027, § 296-807-16005, filed 2/7/06, effective 4/1/06;  
03-09-009, § 296-807-16005, filed 4/4/03, effective 8/1/03.]

***WAC 296-807-16010 Make sure the equipment has the appropriate labels and decals.***

[Statutory Authority: RCW 49.17.010, .040, and .050. 15-23-086 (Order 14-16) § 296-807-16010, filed 11/17/15 effective 12/17/15.  
Statutory Authority: RCW 49.17.010, [49.17].040,[49.17].050 , and [49.17].060. 03-09-009, § 296-807-16010, filed 4/4/03, effective 8/1/03.]

***WAC 296-807-16015 Make sure the operator understands and follows instructions before starting the mower.***

[Statutory Authority: RCW 49.17.010, .040, and .050. 15-23-086 (Order 14-16) § 296-807-16015, filed 11/17/15 effective 12/17/15.  
Statutory Authority: RCW 49.17.010, [49.17].040,[49.17].050 , and [49.17].060. 03-09-009, § 296-807-16015, filed 4/4/03, effective 8/1/03.]

***WAC 296-807-16020 Use the equipment safely.***

[Statutory Authority: RCW 49.17.010, .040, and .050. 15-23-086 (Order 14-16) § 296-807-16020, filed 11/17/15 effective 12/17/15.  
Statutory Authority: RCW 49.17.010, [49.17].040,[49.17].050 , and [49.17].060. 03-09-009, § 296-807-16020, filed 4/4/03, effective 8/1/03.]

***WAC 296-807-16025 Protect employees from fuel and exhaust.***

[Statutory Authority: RCW 49.17.010, .040, and .050. 15-23-086 (Order 14-16) § 296-807-16025, filed 11/17/15 effective 12/17/15.  
Statutory Authority: RCW 49.17.010, [49.17].040,[49.17].050 , and [49.17].060. 03-09-009, § 296-807-16025, filed 4/4/03, effective 8/1/03.]

***WAC 296-807-16030 Use walk-behind mowers safely.***

[Statutory Authority: RCW 49.17.010, .040, and .050. 15-23-086 (Order 14-16) § 296-807-16030, filed 11/17/15 effective 12/17/15.  
Statutory Authority: RCW 49.17.010, [49.17].040,[49.17].050 , and [49.17].060. 03-09-009, § 296-807-16030, filed 4/4/03, effective 8/1/03.]

***WAC 296-807-16035 Use ride-on mowers safely.***

[Statutory Authority: RCW 49.17.010, .040, and .050. 15-23-086 (Order 14-16) § 296-807-16035, filed 11/17/15 effective 12/17/15.  
Statutory Authority: RCW 49.17.010, [49.17].040,[49.17].050 , and [49.17].060. 03-09-009, § 296-807-16035, filed 4/4/03, effective 8/1/03.]

***WAC 296-807-170 Jacks.***

[Statutory Authority: RCW 49.17.010, .040, and .050. 15-23-086 (Order 14-16) § 296-807-170 filed 11/17/15 effective 12/17/15.  
Statutory Authority: RCW 49.17.010, [49.17].040,[49.17].050 , and [49.17].060. 03-09-009, § 296-807-170, filed 4/4/03, effective 8/1/03.]

***WAC 296-807-17005 Make sure jacks are labeled with their rated load(s).***

[Statutory Authority: RCW 49.17.010, .040, and .050. 15-23-086 (Order 14-16) § 296-807-17005, filed 11/17/15 effective 12/17/15.  
Statutory Authority: RCW 49.17.010, [49.17].040,[49.17].050 , and [49.17].060. 03-09-009, § 296-807-17005, filed 4/4/03, effective 8/1/03.]

***WAC 296-807-17010 Make sure the jack is safe to lift the load.***

[Statutory Authority: RCW 49.17.010, .040, and .050. 15-23-086 (Order 14-16) § 296-807-17010 filed 11/17/15 effective 12/17/15.  
Statutory Authority: RCW 49.17.010, [49.17].040,[49.17].050 , and [49.17].060. 03-09-009, § 296-807-17010, filed 4/4/03, effective 8/1/03.]

***WAC 296-807-17015 Lift the load safely.***

[Statutory Authority: RCW 49.17.010, .040, and .050. 15-23-086 (Order 14-16) § 296-807-17015, filed 11/17/15 effective 12/17/15.  
Statutory Authority: RCW 49.17.010, [49.17].040,[49.17].050 , and [49.17].060. 03-09-009, § 296-807-17015, filed 4/4/03, effective 8/1/03.]

***WAC 296-807-17020 Visually inspect jacks and keep them in good working order.***

[Statutory Authority: RCW 49.17.010, .040, and .050. 15-23-086 (Order 14-16) § 296-807-17020, filed 11/17/15 effective 12/17/15.  
Statutory Authority: RCW 49.17.010, 49.17.040, 49.17.050, 49.17.060. 07-03-163, § 296-807-17020, filed 1/24/07, effective 4/1/07; 03-09-009, § 296-807-17020, filed 4/4/03, effective 8/1/03.]

***WAC 296-807-180 Portable tools using abrasive wheels.***

[Statutory Authority: RCW 49.17.010, .040, and .050. 15-23-086 (Order 14-16) § 296-807-180, filed 11/17/15 effective 12/17/15.  
Statutory Authority: RCW 49.17.010, [49.17].040,[49.17].050 , and [49.17].060. 03-09-009, § 296-807-180, filed 4/4/03, effective 8/1/03.]

***WAC 296-807-18005 Make sure abrasive wheels and tools are properly designed and constructed.***

[Statutory Authority: RCW 49.17.010, .040, and .050. 15-23-086 (Order 14-16) § 296-807-18005, filed 11/17/15 effective 12/17/15. Statutory Authority: RCW 49.17.010, [49.17].040,[49.17].050 , and [49.17].060. 03-09-009, § 296-807-18005, filed 4/4/03, effective 8/1/03.]

***WAC 296-807-18010 Make sure machines have safety guards.***

[Statutory Authority: RCW 49.17.010, .040, and .050. 15-23-086 (Order 14-16) § 296-807-18010, filed 11/17/15 effective 12/17/15. Statutory Authority: RCW 49.17.010, [49.17].040,[49.17].050 , and [49.17].060. 03-09-009, § 296-807-18010, filed 4/4/03, effective 8/1/03.]

***WAC 296-807-18015 Keep safety guards in good functional condition.***

[Statutory Authority: RCW 49.17.010, .040, and .050. 15-23-086 (Order 14-16) § 296-807-18015, filed 11/17/15 effective 12/17/15. Statutory Authority: RCW 49.17.010, [49.17].040,[49.17].050 , and [49.17].060. 03-09-009, § 296-807-18015, filed 4/4/03, effective 8/1/03.]

***WAC 296-807-18020 Use specific safety guards for machines using Type 1 grinding wheels, cutting-off wheels, and tuck pointing wheels.***

[Statutory Authority: RCW 49.17.010, .040, and .050. 15-23-086 (Order 14-16) § 296-807-18020, filed 11/17/15 effective 12/17/15. Statutory Authority: RCW 49.17.010, [49.17].040,[49.17].050 , and [49.17].060. 03-09-009, § 296-807-18020, filed 4/4/03, effective 8/1/03.]

***WAC 296-807-18025 Use specific safety guards for vertical and angle grinders using Type 6 or Type 11 wheels.***

[Statutory Authority: RCW 49.17.010, .040, and .050. 15-23-086 (Order 14-16) § 296-807-18025, filed 11/17/15 effective 12/17/15. Statutory Authority: RCW 49.17.010, [49.17].040,[49.17].050 , and [49.17].060. 03-09-009, § 296-807-18025, filed 4/4/03, effective 8/1/03.]

***WAC 296-807-18030 Use specific guards for vertical and angle grinders using Type 27, 28 and 29 wheels.***

[Statutory Authority: RCW 49.17.010, .040, and .050. 15-23-086 (Order 14-16) § 296-807-18030, filed 11/17/15 effective 12/17/15. Statutory Authority: RCW 49.17.010, [49.17].040,[49.17].050 , and [49.17].060. 03-09-009, § 296-807-18030, filed 4/4/03, effective 8/1/03.]

***WAC 296-807-18035 Use side handles on vertical and angle grinders.***

[Statutory Authority: RCW 49.17.010, .040, and .050. 15-23-086 (Order 14-16) § 296-807-18035, filed 11/17/15 effective 12/17/15. Statutory Authority: RCW 49.17.010, [49.17].040,[49.17].050 , and [49.17].060. 03-09-009, § 296-807-18035, filed 4/4/03, effective 8/1/03.]

***WAC 296-807-18040 Make sure abrasive wheels are safe to use.***

[Statutory Authority: RCW 49.17.010, .040, and .050. 15-23-086 (Order 14-16) § 296-807-18040, filed 11/17/15 effective 12/17/15. Statutory Authority: RCW 49.17.010, [49.17].040,[49.17].050 , and [49.17].060. 03-09-009, § 296-807-18040, filed 4/4/03, effective 8/1/03.]

***WAC 296-807-18045 Mount wheels properly.***

[Statutory Authority: RCW 49.17.010, .040, and .050. 15-23-086 (Order 14-16) § 296-807-18045 filed 11/17/15 effective 12/17/15. Statutory Authority: RCW 49.17.010, [49.17].040,[49.17].050 , and [49.17].060. 03-09-009, § 296-807-18045, filed 4/4/03, effective 8/1/03.]

***WAC 296-807-18050 Use proper flanges.***

[Statutory Authority: RCW 49.17.010, .040, and .050. 15-23-086 (Order 14-16) § 296-807-18050 filed 11/17/15 effective 12/17/15. Statutory Authority: RCW 49.17.010, 49.17.040, 49.17.050, 49.17.060. 07-03-163, § 296-807-18050, filed 1/24/07, effective 4/1/07; 03-09-009, § 296-807-18050, filed 4/4/03, effective 8/1/03.]

***WAC 296-807-18055 Make sure flanges are in good condition.***

[Statutory Authority: RCW 49.17.010, .040, and .050. 15-23-086 (Order 14-16) § 296-807-18055 filed 11/17/15 effective 12/17/15. Statutory Authority: RCW 49.17.010, [49.17].040,[49.17].050 , and [49.17].060. 03-09-009, § 296-807-18055, filed 4/4/03, effective 8/1/03.]

***WAC 296-807-18060 Use specific flanges for Type 1 cutting-off wheels.***

[Statutory Authority: RCW 49.17.010, .040, and .050. 15-23-086 (Order 14-16) § 296-807-18060, filed 11/17/15 effective 12/17/15. Statutory Authority: RCW 49.17.010, [49.17].040,[49.17].050 , and [49.17].060. 03-09-009, § 296-807-18060, filed 4/4/03, effective 8/1/03.]

***WAC 296-807-18065 Use specific flanges for Type 27A cutting-off wheels.***

[Statutory Authority: RCW 49.17.010, .040, and .050. 15-23-086 (Order 14-16) § 296-807-18065, filed 11/17/15 effective 12/17/15. Statutory Authority: RCW 49.17.010, [49.17].040,[49.17].050 , and [49.17].060. 03-09-009, § 296-807-18065, filed 4/4/03, effective 8/1/03.]

***WAC 296-807-18070 Use specific flanges for threaded hole wheels.***

[Statutory Authority: RCW 49.17.010, .040, and .050. 15-23-086 (Order 14-16) § 296-807-18070, filed 11/17/15 effective 12/17/15. Statutory Authority: RCW 49.17.010, [49.17].040,[49.17].050 , and [49.17].060. 03-09-009, § 296-807-18070, filed 4/4/03, effective 8/1/03.]

***WAC 296-807-18075 Use specific flanges for cup, cone or plug wheels with threaded inserts or projecting studs.***

[Statutory Authority: RCW 49.17.010, .040, and .050. 15-23-086 (Order 14-16) § 296-807-18075, filed 11/17/15 effective 12/17/15. Statutory Authority: RCW 49.17.010, [49.17].040,[49.17].050 , and [49.17].060. 03-09-009, § 296-807-18075, filed 4/4/03, effective 8/1/03.]

***WAC 296-807-18080 Use blotters when required.***

[Statutory Authority: RCW 49.17.010, .040, and .050. 15-23-086 (Order 14-16) § 296-807-18080, filed 11/17/15 effective 12/17/15. Statutory Authority: RCW 49.17.010, [49.17].040,[49.17].050 , and [49.17].060. 03-09-009, § 296-807-18080, filed 4/4/03, effective 8/1/03.]

***WAC 296-807-18085 Meet specific blotter requirements when using modified Type 6 and 11 wheels (terrazzo).***

[Statutory Authority: RCW 49.17.010, .040, and .050. 15-23-086 (Order 14-16) § 296-807-18085, filed 11/17/15 effective 12/17/15. Statutory Authority: RCW 49.17.010, [49.17].040,[49.17].050 , and [49.17].060. 03-09-009, § 296-807-18085, filed 4/4/03, effective 8/1/03.]

## Portable Power Tools Chapter 296-807 WAC Resources

### HELPFUL TOOLS

|                                   |     |
|-----------------------------------|-----|
| Center Punch Test.....            | R-2 |
| Ring Test .....                   | R-4 |
| Abrasive Wheel Illustrations..... | R-6 |

#### Center Punch Test

##### Use with WAC 296-807-150, Powder Actuated Fastening Systems

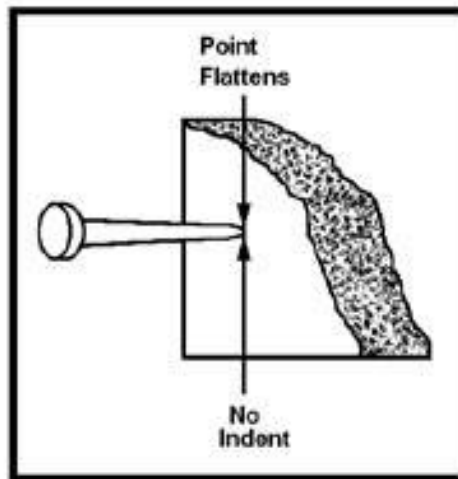
Do a center punch test with a hammer to determine the suitability of the base material for a powder actuated fastening. This test is relatively simple and can help you do a safe, successful fastening. Be sure to wear the appropriate eye protection when performing this test.

#### The test is done as follows:

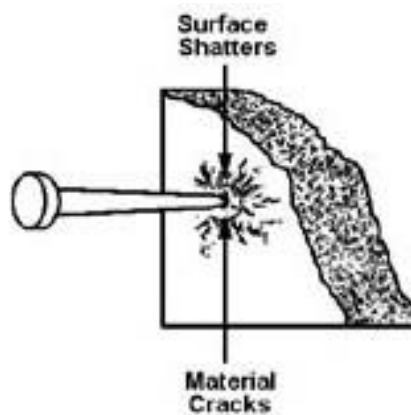
- (1) Select the fastener to be used for the job.
- (2) Place the point of the fastener against the base material.
- (3) Strike the fastener with a single hammer blow, then examine the point. If the point of the fastener is not blunted and the base material has a clear point indentation, you can do the first test installation.

Use of a powder actuated fastening system is not recommended if the following occurs during the center punch test:

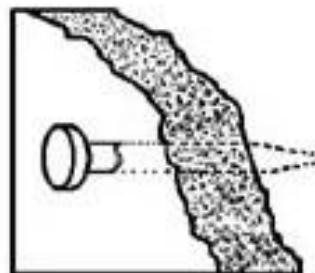
- The fastener point has been blunted. This indicates that the base material is too hard.



- The base material cracks or shatters. This indicates that the base material is too brittle.



- When using an average hammer blow, the fastener penetrates the base material easily. This indicates that the base material is too soft.



Fastener Sinks in  
with Average  
Hammer Blow

### Ring Test



---

## Use with WAC 296-807-180, Portable Tools Using Abrasive Wheels

A ring test should be performed before mounting an abrasive wheel. This test is simple and can help determine if the wheel is cracked.

### Limitations:

The wheel has to be dry and free of sawdust when applying the ring test, otherwise the sound may be deadened.

The ring test does not work with certain wheels because of their shape or size.

Examples include:

- Wheels 4 inches diameter and smaller
- Plugs and Cones
- Mounted Wheels
- Segments
- Plate-Mounted Wheels
- Inserted Nut and Projecting Stud Disc Wheels

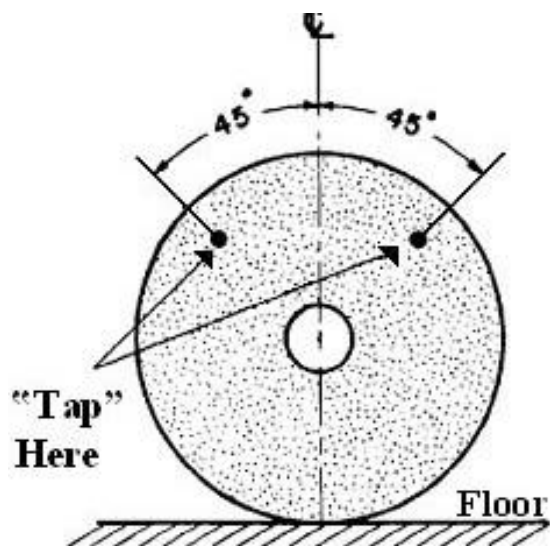
### How to do the test:

- (1) Suspend the wheel by putting a small pin or your finger through the arbor hole in the wheel. Heavier wheels may be allowed to rest in a vertical position on a clean hard floor (See Illustration 1).
- (2) Tap the flat side of the wheel with a light non-metallic implement, such as the handle of a screw driver, at a point
  - 45 degrees from the vertical center line on each side of the wheel (See Illustration 2); and
  - 1 – 2 inches from the edge of the wheel. Large, thick wheels may be struck on the periphery rather than the side of the wheel.
- (3) Rotate the wheel 45 degrees and repeat the test until the entire wheel has been checked.

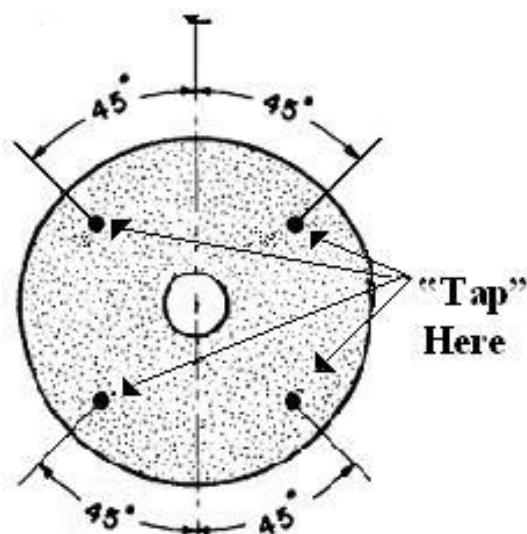
### How to use the results:

The ring test depends on the fact that a crack in the wheel will normally change the sound emitted when the wheel is lightly tapped. An undamaged wheel will give a clear tone. If cracked, there will be a dead sound and not a clear ring.

Comparison of the sound with other wheels of the same lot and specification will allow rejection of any wheel with a suspiciously different ring.



**Heavy Wheels**  
Support on clean hard floor



**Light Wheels**  
Support on clean hard floor  
small pin or finger

**Abrasive Wheel Illustrations**  
Use with WAC 296-807-180, Portable Tools Using Abrasive Wheels

This tool contains illustrations of:

- Some specific types of wheels used in this chapter
- General types of flanges used with abrasive wheels
- Mounting of some specific types of wheels

Information about the wheel type includes a definition and may have notes concerning wheel use or limitations.

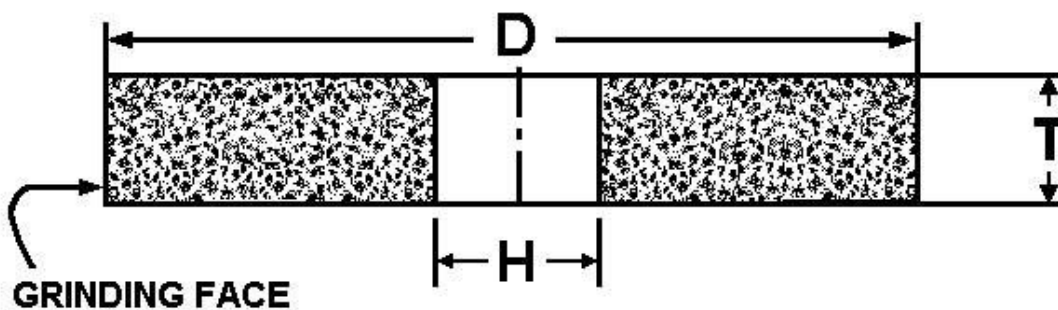
Information about mounting wheels lists only the mounting requirements.

**You will find these illustrations in this tool:**

|   |      |
|---|------|
| Type 1 Wheel.....                             | R-7  |
| Type 6 Wheel.....                             | R-7  |
| Type 11 Wheel.....                            | R-8  |
| Type 27 and 27A Wheels.....                   | R-9  |
| Type 28 wheel.....                            | R-10 |
| Type 29 Wheel.....                            | R-10 |
| Modified Type 6 and 11 Wheels (Terrazzo)..... | R-11 |
| Mounted Wheels.....                           | R-12 |
| Cone and Plug Wheels.....                     | R-13 |
| General Types of Flanges.....                 | R-14 |
| Mounting Type 27A Cutting-off Wheels.....     | R-16 |
| Mounting Threaded Hole Wheels.....            | R-17 |

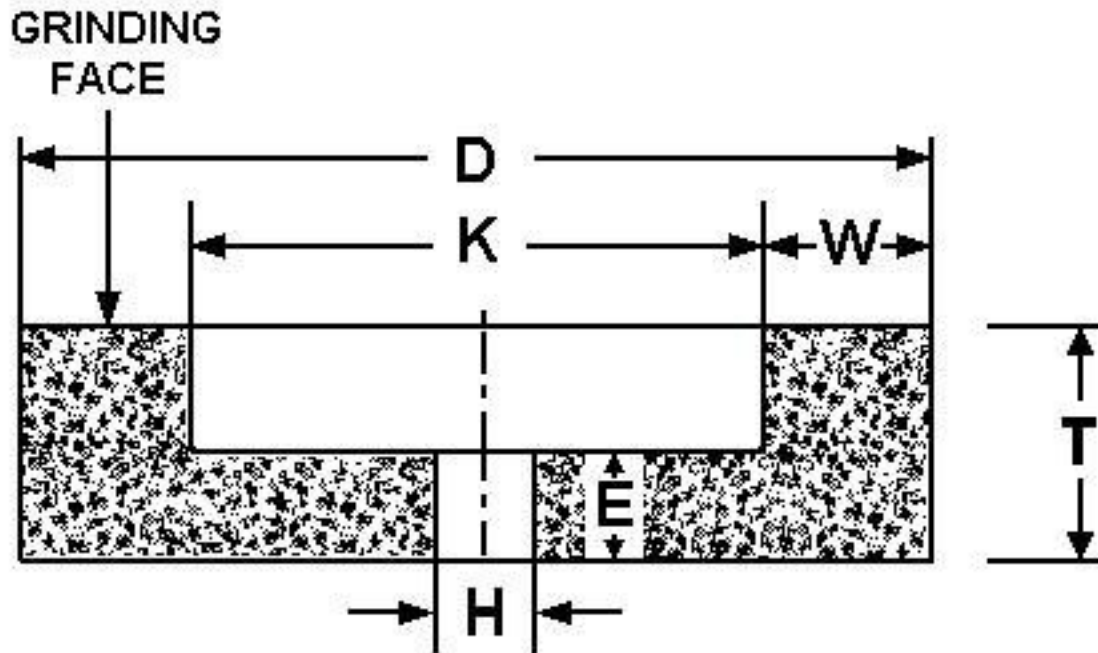
**Type 1 wheel**

An abrasive wheel shaped like a disc with a mounting hole in the middle. Sometimes called a “straight wheel.” It has diameter (D), thickness (T), and hole size (H) dimensions. Grinding is normally done on the periphery (outside curve) of the wheel (T dimension).



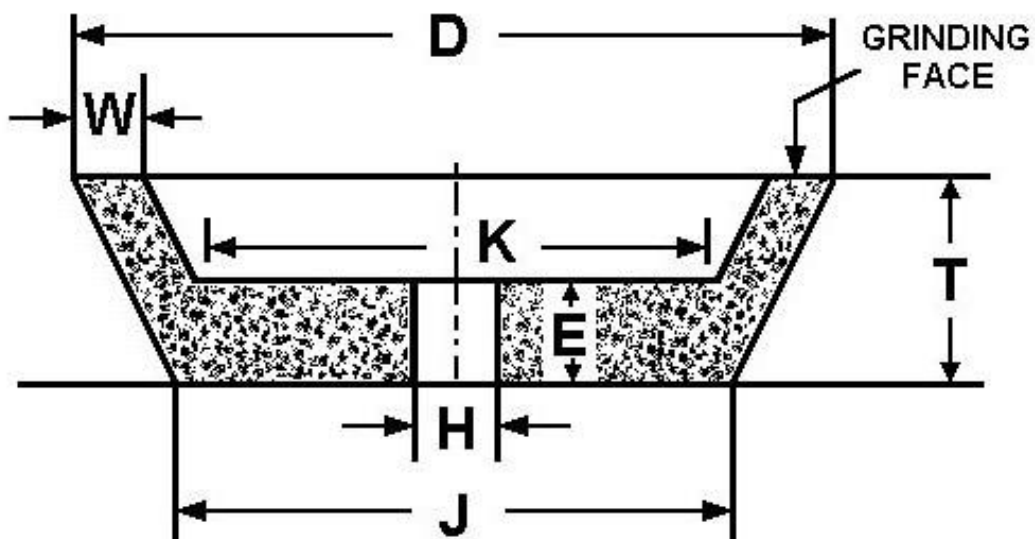
**Type 6 wheel**

An abrasive wheel shaped like a straight-sided cup or bowl with a mounting hole in the bottom of the cup. Sometimes called a “cup wheel.” It has diameter (D), thickness (T), hole size (H), rim thickness (W), and back thickness (E) dimensions. Grinding is normally done on the cup rim (W dimension).



### Type 11 wheel

An abrasive wheel shaped like a cup or bowl with a mounting hole in the bottom of the cup. The sides of the cup are not straight-sided but are angled outward. Sometimes called a “flaring cup wheel” since the sides are “flared” out. It has double diameter dimensions (top D and bottom J). It also has thickness (T), hole size (H), rim thickness (W) and back thickness (E) dimensions. Grinding is normally done on the cup rim (W dimension).

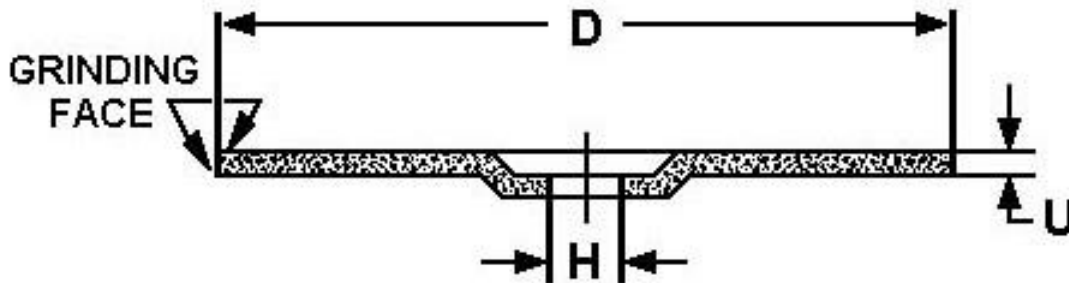


### Type 27 wheel

An abrasive wheel similar to a Type 1 wheel, but the center of the wheel around the mounting hole is pushed back (depressed). Sometimes called a “depressed center” wheel. It has diameter (D), thickness (U) and hole size (H) dimensions. The depressed center allows grinding on the flat surface of the wheel without interference from the flange or mounting hardware.

### Type 27A cutting-off wheel

Similar to a Type 27 wheel. Specifically designed for use on cutting-off machines.

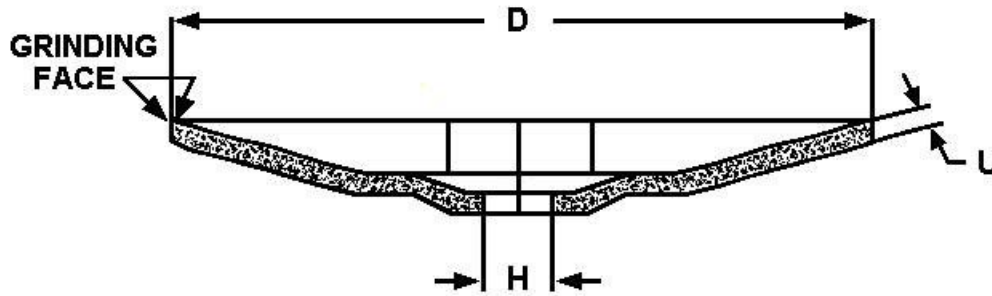


### Note:

- Type 27 wheels are manufactured with flat grinding rims or faces and are designed for:
  - Side grinding when held at a slight angle to the work piece
  - Peripheral grinding, including small cutting-off and shallow notching operations
- Type 27 wheels may be used flat when grinding masonry and concrete surfaces such as ceilings and walls.

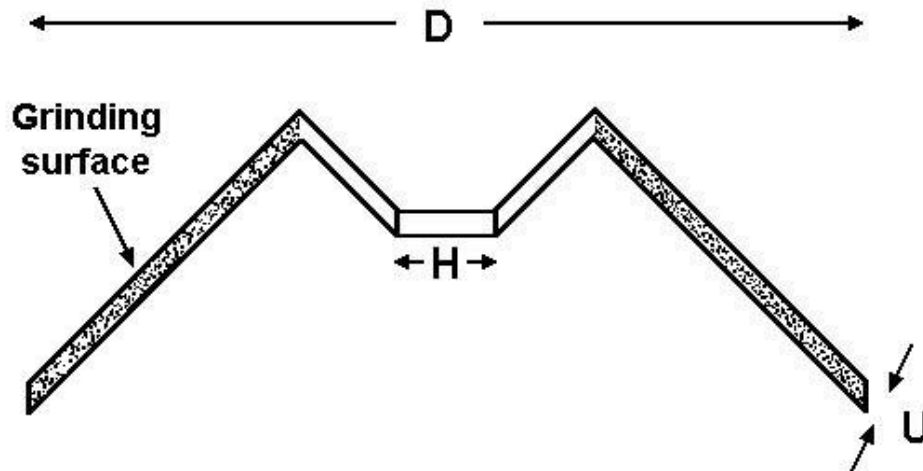
### Type 28 wheel

An abrasive wheel similar to a Type 27 wheel, but the face of the wheel is angled upward and away from the mounting hole. The face of a Type 27 wheel is flat and perpendicular to the mounting hole. A Type 28 wheel is also called a “depressed center” wheel. It has diameter (D), thickness (U) and hole size (H) dimensions. The depressed center allow grinding without interference from the mounting. A Type 28 wheel has a saucer-shaped grinding rim and is designed for corner grinding and side grinding.



### Type 29 wheel

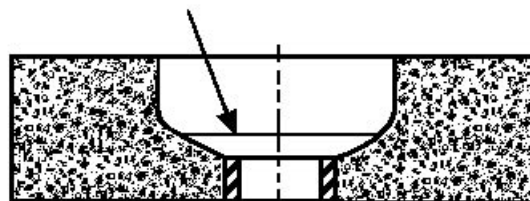
An abrasive wheel that has reversed, saucer-shaped grinding rims (similar to a partially opened umbrella).



### Modified Type 6 and 11 wheels (Terrazzo)

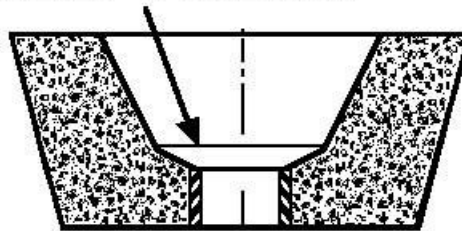
Similar to Type 6 “straight cup” wheels and Type 11 “flaring cup” wheels except for the bottom of the cup. The bottom of the cup is flat in Type 6 and 11 wheels. The modified wheels have bottoms that are sloped downwards towards the mounting hole. These modified wheels need to be mounted using a special tapered flange furnished by the tool manufacturer. These wheels are used in the terrazzo trade.

#### TAPERED "K" DIMENSION



TYPE 6 WHEEL (TERRAZZO)

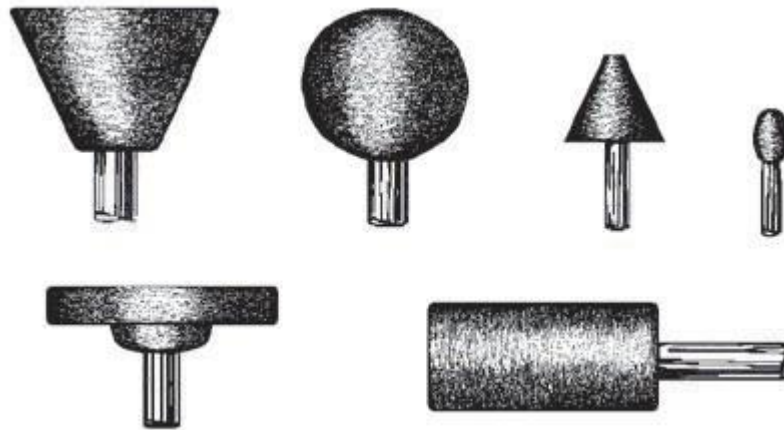
### TAPERED "K" DIMENSION



TYPE II WHEEL (TERRAZZO)

### Mounted wheels

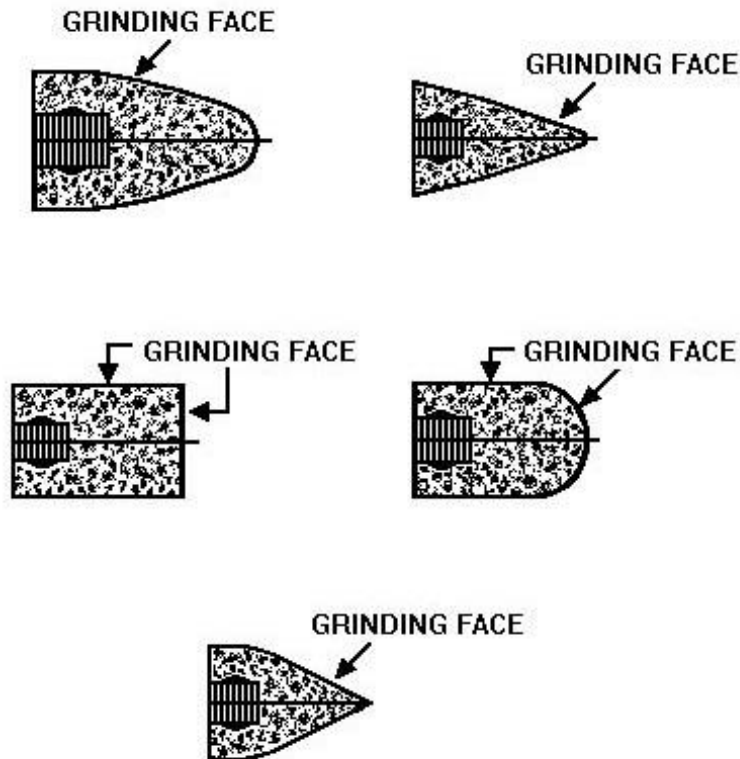
Bonded abrasive wheels of various shapes, usually 2 inches diameter or smaller, that are secured to plain or threaded steel mandrels.



### Cone and plug wheels (Types 16, 17, 18, 18R, and 19)

Abrasive wheels manufactured with blind hole threaded bushings. They may be used on all surfaces except the flat mounting surface (D). Specific characteristics of the different cone and plug wheels are:

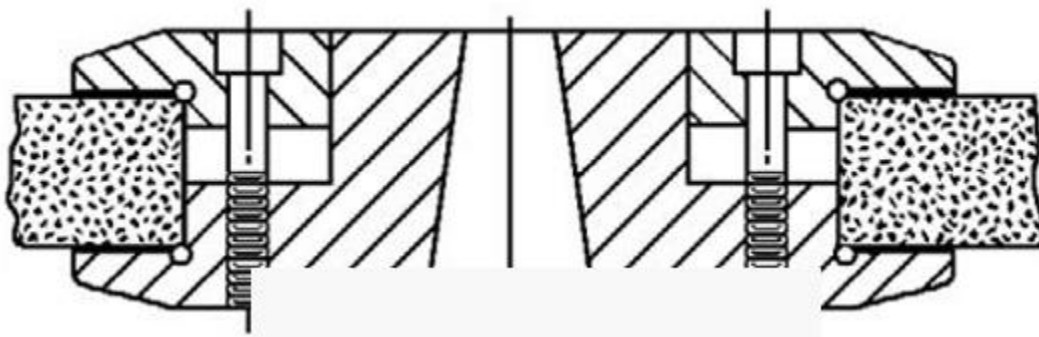
- Type 16 cone wheels have a curved side with a nose radius
- Type 17 cone wheels have straight sides with or without a nose radius
- Type 18 and 18R plug wheels are cylindrical in shape with either a square or curved grinding end
- Type 19 cone wheels are a combination of cone and plug shapes



### Flanges

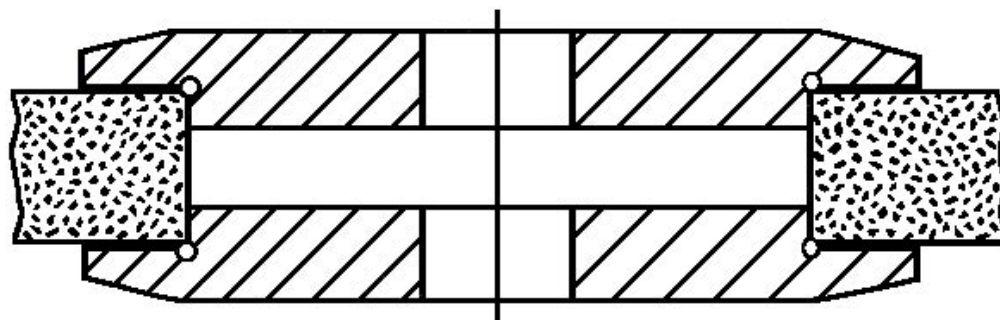
Collars, discs or plates between or against which wheels are mounted. There are four types of flanges:

- Adaptor
- Sleeve adaptor
- Straight relieved
- Straight unrelieved

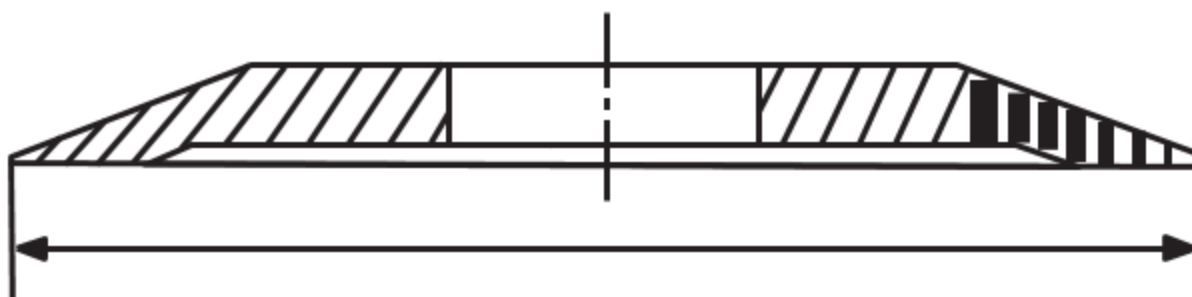


**SLEEVE ADAPTOR FLANGE**

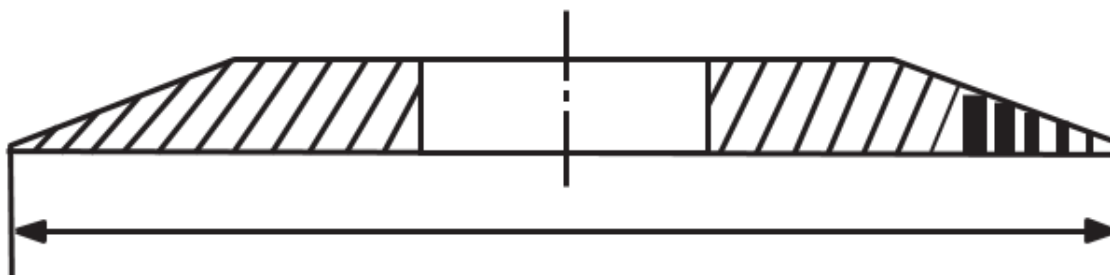




ADAPTOR FLANGE



STRAIGHT RELIEVED FLANGE

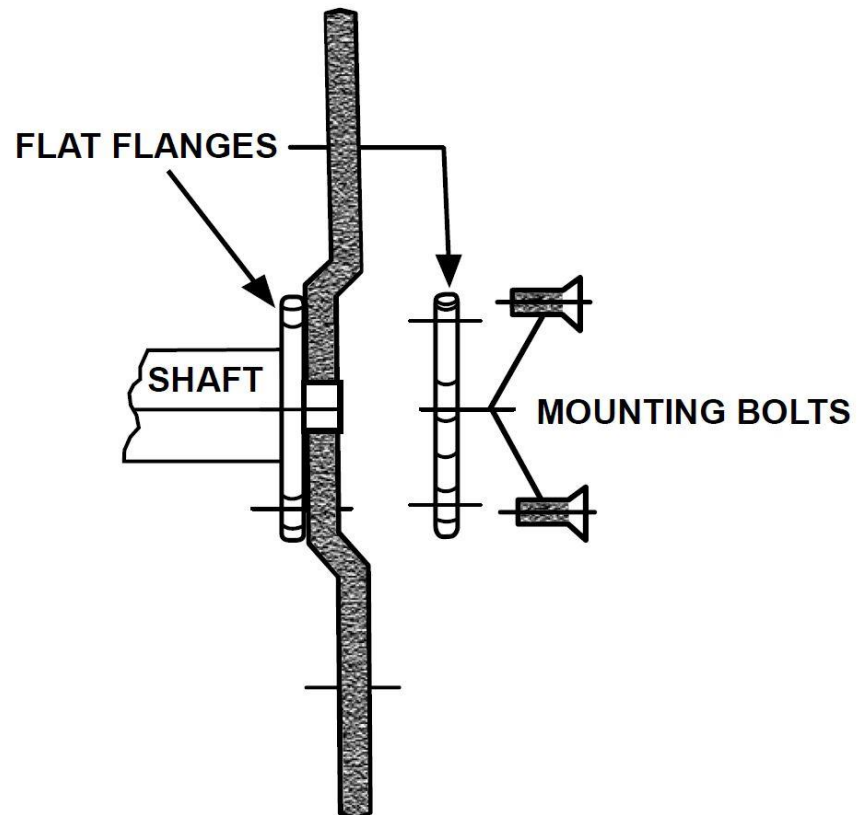


STRAIGHT UNRELIEVED FLANGE

### Mounting Type 27A cutting-off wheels

Type 27A cutting-off wheels are mounted between flanges that are:

- Flat (unrelieved) with matching bearing surfaces; and
- At least 1/4 the wheel diameter



### Mounting threaded hole wheels

Threaded hole wheels are mounted against a back flange that is:

- Flat (unrelieved)
- Securely fastened and square to the spindle axis
- Able to properly support the wheel

